

# PARTS LIST

## CAUTION

- The parts identified by the  $\triangle$  symbol are important for the safety. Whenever replacing these parts, be sure to use specified ones to secure the safety .
- The parts not indicated in this Parts List and those which are filled with lines — in the Parts No. columns will not be supplied.
- P. W. Board Ass'y will not be supplied, but those which are filled with the Parts No. in the Parts No. columns will be supplied.

## ABBREVIATIONS OF RESISTORS, CAPACITORS AND TOLERANCES

RESISTORS		CAPACITORS	
C R	Carbon Resistor	C CAP.	Ceramic Capacitor
F R	Fusible Resistor	E CAP.	Electrolytic Capacitor
P R	Plate Resistor	M CAP.	Mylar Capacitor
V R	Variable Resistor	HV CAP.	High Voltage Capacitor
HV R	High Voltage Resistor	MF CAP.	Metalized Film Capacitor
MF R	Metal Film Resistor	MM CAP.	Metalized Mylar Capacitor
MG R	Metal Glazed Resistor	MP CAP.	Metalized Polystyrol Capacitor
MP R	Metal Plate Resistor	PP CAP.	Polypropylene Capacitor
OM R	Metal Oxide Film Resistor	PS CAP.	Polystyrol Capacitor
CMF R	Coating Metal Film Resistor	TF CAP.	Thin Film Capacitor
UNF R	Non-Flammable Resistor	MPP CAP.	Metalized Polypropylene Capacitor
CH V R	Chip Variable Resistor	TAN. CAP.	Tantalum Capacitor
CH MG R	Chip Metal Glazed Resistor	CH C CAP.	Chip Ceramic Capacitor
COMP. R	Composition Resistor	BP E CAP.	Bi-Polar Electrolytic Capacitor
LPTC R	Linear Positive Temperature Coefficient Resistor	CH AL E CAP.	Chip Aluminum Electrolytic Capacitor
		CH AL BP CAP.	Chip Aluminum Bi-Polar Capacitor
		CH TAN. E CAP.	Chip Tantalum Electrolytic Capacitor
		CH AL BP E CAP.	Chip Tantalum Bi-Polar Electrolytic Capacitor

TOLERANCES									
F	G	J	K	M	N	R	H	Z	P
±1%	±2%	±5%	±10%	±20%	±30%	+30% -10%	+50% -10%	+80% -20%	+100% -0%

## CONTENTS

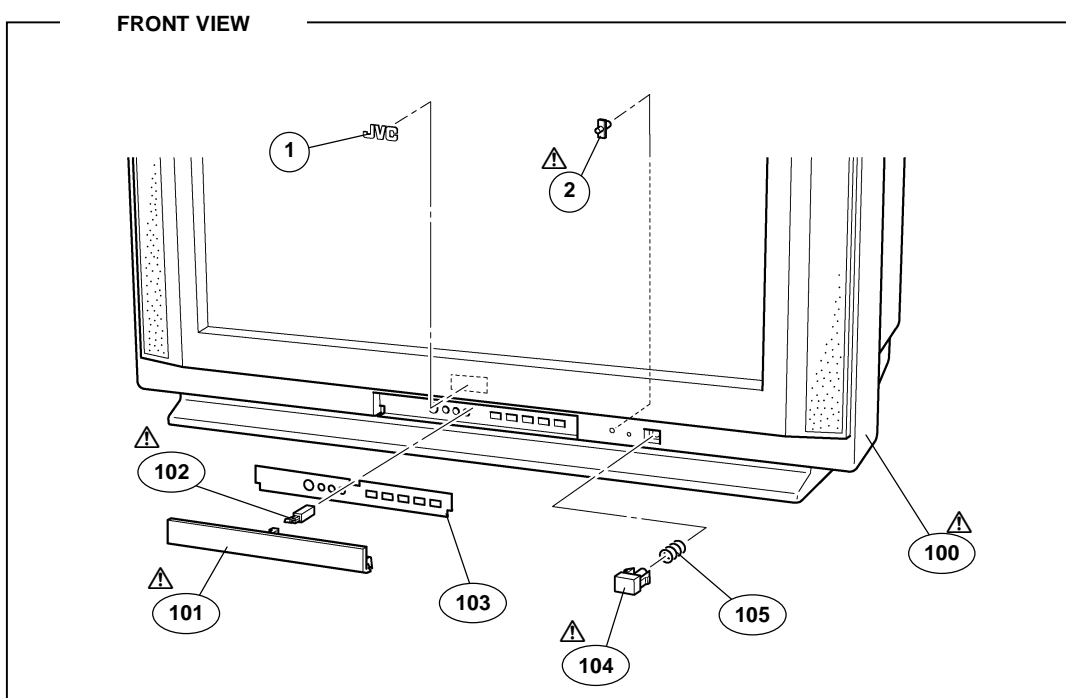
- USING P.W. BOARD & REMOTE CONTROL UNIT ..... 50
- EXPLODED VIEW PARTS LIST ..... 51, 52
- EXPLODED VIEW ..... 51, 53
- PRINTED WIRING BOARD PARTS LIST ..... 54
  - MAIN PW BOARD ASS'Y ..... 54
  - DEF./POWER PW BOARD ASS'Y ..... 59
  - CRT SOCKET PW BOARD ASS'Y ..... 61
  - LINE FILTER PW BOARD ASS'Y ..... 62
  - DEF OSC PW BOARD ASS'Y ..... 63
  - JACK PW BOARD ASS'Y ..... 64
  - FRONT CONTROL PW BOARD ASS'Y ..... 65
  - POWER SW PW BOARD ASS'Y ..... 65
  - SUB TUNER PW BOARD ASS'Y ..... 65
  - DIGITAL IF MODULE PW BOARD ASS'Y ..... 66
  - I/P MODULE PW BOARD ASS'Y ..... 66
- REMOTE CONTROL UNIT ..... 67
- PACKING / PACKING PARTS LIST ..... 67

## USING P.W. BOARD & REMOTE CONTROL UNIT

P.W.B ASS'Y	Model	AV-36P902/Y
MAIN P.W.B		SSB-1026A-M2
DEF./POWER P.W.B		SSB-2026A-M2
CRT SOCKET P.W.B		SSB-3026A-M2
DIGITAL IF (D. IF) MODULE P.W.B		SSB-7801A-M2
LINE FILTER P.W.B		SSB-9026A-M2
I/P MODULE P.W.B		SSB0D026A-M2
FRONT CONTROL P.W.B		SSB0L026A-M2
DEF OSC P.W.B		SSB0H026A-M2
JACK P.W.B		SSB0J026A-M2
POWER SW P.W.B		SSB0L126A-M2
SUB TUNER P.W.B		SSB0R226A-M2
REMOTE CONTROL UNIT		RM-C321G-1A

# EXPLODED VIEW PARTS LIST

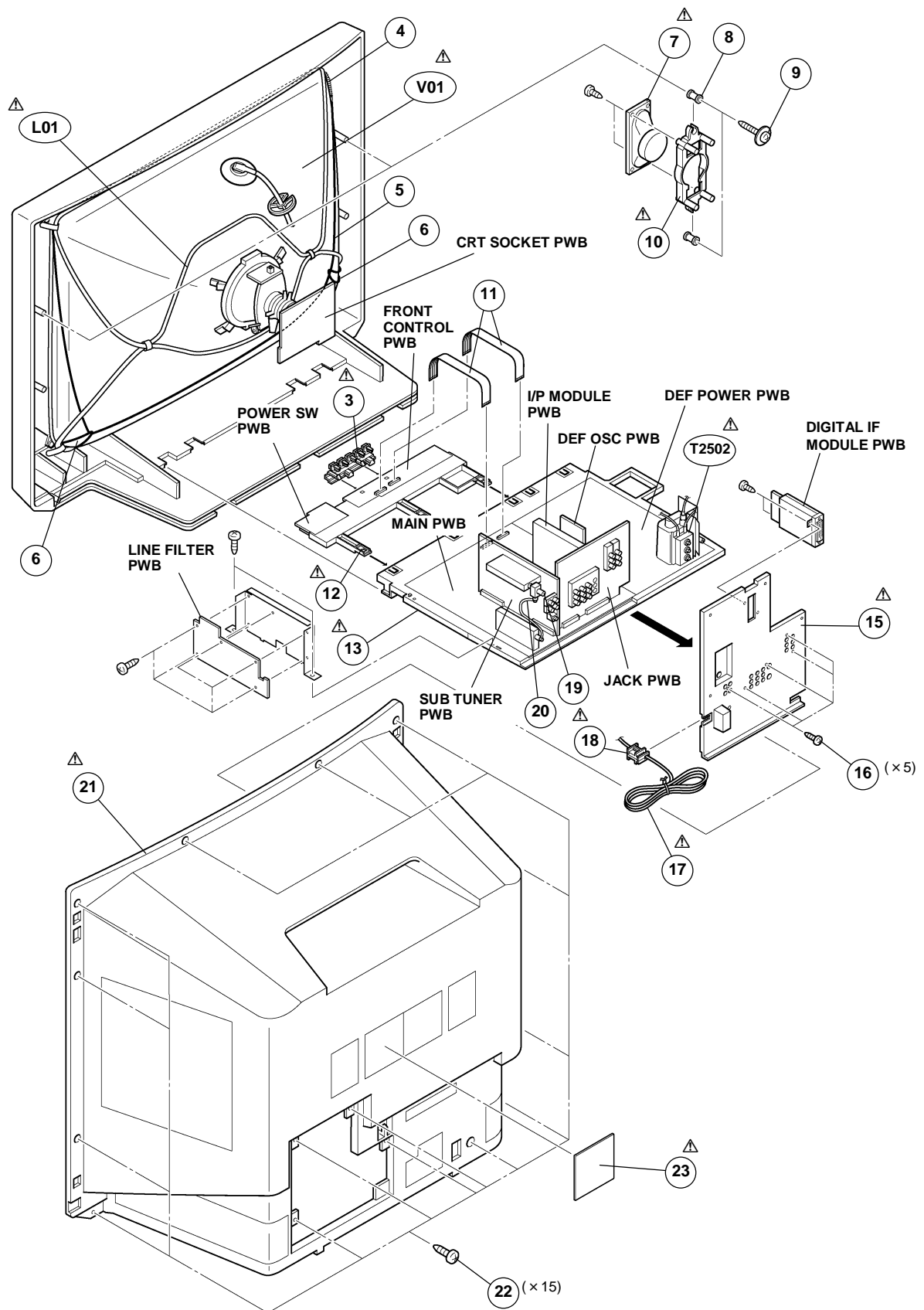
△ Ref.No.	Part No.	Part Name	Description
1	LC41193-001A-C	JVC MARK	
△ 2	LC30191-003A-A	REMOCON WINDOW	
△ 100	LC11153-002A-A	F.CABINET ASSY	Inc.No.101~105
△ 101	LC20628-001B-A	DOOR	
△ 102	CM48229-00A-C	DOOR LATCH	
103	LC31238-003A-A	OPERATION SHEET	
△ 104	LC31237-001A-A	POWER KNOB	
105	CM36481-002A-A	SPRING	



## EXPLODED VIEW PARTS LIST

△ Ref.No.	Part No.	Part Name	Description
△ V01	A90AJZ90X32	PICTURE TUBE	Inc.DY, PC MAGNET, WEDGE
△ L01	QQW0127-001	DEG COIL	
△ T2502	QQH0112-001	FBT	
△ 3	LC20217-004B-A	CONTROL KNOB	
4	A48457-4-S	SPRING	With BRAIDED ASSY
5	WJY0016-003A	E-BRAIDED ASSY	
6	WJY0013-002A	E-BRAIDED ASSY	(×2)
△ 7	QAS0086-001	SPEAKER	(×2)SP01-02
8	LC40226-002A-A	SPACER	(×4)
9	LC41029-001A-A	TAP SCREW	(×4)
△ 10	LC20629-001B-A	SP HOLDER	(×2)
11	CHFB125-22BD-N	FFC WIRE	(×2)
△ 12	LC11172-001B-A	CONTROL BASE	
△ 13	LC11173-001B-A	CHASSIS BASE	
△ 15	LC11174-001B-A	TERMINAL BOARD	
16	QYSB5B3010Z	TAPPING SCREW	(×5)For TERMINAL BOARD
△ 17	QMPD200-200-JC	POWER CORD	
△ 18	LC20106-001D-A	POWER CORD CLAMP	
19	CEGA008-001	ANT.SPLITTER	
20	WJX0013-001A	E-COAXIAL WIRE	
△ 21	LC11155-002B-A	REAR COVER	
22	QYSB5FG4016Z	TAPPING SCREW	(×15)For REAR COVER
△ 23	LC31139-001A-A	RATING LABEL	

# EXPLODED VIEW



# PRINTED WIRING BOARD PARTS LIST

## MAIN P.W. BOARD ASS'Y (SSB-1026A-M2)

△ Symbol No.	Part No.	Part Name	Description
<b>RESISTOR</b>			
R1001	NRSA63J-222X	MG R	2.2kΩ 1/16W J
R1004	NRSA63J-332X	MG R	3.3kΩ 1/16W J
R1005-06	NRSA63J-473X	MG R	47kΩ 1/16W J
R1007	NRSA63J-152X	MG R	1.5kΩ 1/16W J
R1011	NRSA63J-102X	MG R	1kΩ 1/16W J
R1013	NRSA63J-101X	MG R	100Ω 1/16W J
R1014	NRSA63J-223X	MG R	22kΩ 1/16W J
R1017-18	NRSA63J-0R0X	MG R	0.0Ω 1/16W J
R1020	NRSA63J-473X	MG R	47kΩ 1/16W J
R1021	NRSA63J-103X	MG R	10kΩ 1/16W J
R1022-23	NRSA63J-101X	MG R	100Ω 1/16W J
R1024	NRSA63J-331X	MG R	330Ω 1/16W J
R1025	NRSA63J-182X	MG R	1.8kΩ 1/16W J
R1050-52	NRSA63J-0R0X	MG R	0.0Ω 1/16W J
R1101	NRSA63J-473X	MG R	47kΩ 1/16W J
R1102-04	NRSA63J-0R0X	MG R	0.0Ω 1/16W J
R1117	QRN143J-0R0X	C R	0.0Ω 1/4W J
R1122	NRSA63J-0R0X	MG R	0.0Ω 1/16W J
R1131	NRSA63J-0R0X	MG R	0.0Ω 1/16W J
R1133	NRSA63J-121X	MG R	120Ω 1/16W J
R1134	NRSA63J-0R0X	MG R	0.0Ω 1/16W J
R1135	NRSA63J-121X	MG R	120Ω 1/16W J
R1136	NRSA63J-0R0X	MG R	0.0Ω 1/16W J
R1137	NRSA63J-121X	MG R	120Ω 1/16W J
R1140-41	NRSA63J-222X	MG R	2.2kΩ 1/16W J
R1143	NRSA63J-101X	MG R	100Ω 1/16W J
R1144-45	NRSA63J-222X	MG R	2.2kΩ 1/16W J
R1146	NRSA63J-0R0X	MG R	0.0Ω 1/16W J
R1148	NRSA63J-0R0X	MG R	0.0Ω 1/16W J
R1153-54	NRSA63J-221X	MG R	220Ω 1/16W J
R1157-59	NRSA63J-0R0X	MG R	0.0Ω 1/16W J
R1161	NRSA63J-222X	MG R	2.2kΩ 1/16W J
R1163-65	NRSA63J-224X	MG R	220kΩ 1/16W J
R1166-69	NRSA63J-0R0X	MG R	0.0Ω 1/16W J
R1172	NRSA63J-0R0X	MG R	0.0Ω 1/16W J
R1174	NRSA63J-101X	MG R	100Ω 1/16W J
R1175-77	NRSA63J-224X	MG R	220kΩ 1/16W J
R1179	NRSA63J-0R0X	MG R	0.0Ω 1/16W J
R1180-82	NRSA63J-221X	MG R	220Ω 1/16W J
R1183-86	NRSA63J-101X	MG R	100Ω 1/16W J
R1187-89	NRSA63J-224X	MG R	220kΩ 1/16W J
R1190	NRSA63J-101X	MG R	100Ω 1/16W J
R1198	NRSA63J-271X	MG R	270Ω 1/16W J
R1199	NRVA63D-102X	MF R	1.0kΩ 1/16W±0.5%
R1202-03	NRSA63J-101X	MG R	100Ω 1/16W J
R1213-14	NRSA63J-101X	MG R	100Ω 1/16W J
R1218	NRSA63J-822X	MG R	8.2kΩ 1/16W J
R1219	NRSA63J-331X	MG R	330Ω 1/16W J
R1220-21	NRSA63J-101X	MG R	100Ω 1/16W J
R1224-25	NRSA63J-101X	MG R	100Ω 1/16W J
R1226-27	NRSA63J-103X	MG R	10kΩ 1/16W J
R1228	NRSA63J-222X	MG R	2.2kΩ 1/16W J
R1229	NRSA63J-103X	MG R	10kΩ 1/16W J
R1230	NRSA63J-101X	MG R	100Ω 1/16W J
R1231	NRSA63J-221X	MG R	220Ω 1/16W J
R1232	NRSA63J-562X	MG R	5.6kΩ 1/16W J
R1234	NRSA63J-562X	MG R	5.6kΩ 1/16W J
R1235	NRSA63J-221X	MG R	220Ω 1/16W J
R1236	NRSA63J-562X	MG R	5.6kΩ 1/16W J
R1250	NRSA63J-332X	MG R	3.3kΩ 1/16W J
R1251	NRSA63J-101X	MG R	100Ω 1/16W J
R1252	NRSA63J-152X	MG R	1.5kΩ 1/16W J
R1253	NRSA63J-102X	MG R	1kΩ 1/16W J
R1254	NRSA63J-393X	MG R	39kΩ 1/16W J
R1258	NRSA63J-102X	MG R	1kΩ 1/16W J
R1260	NRSA63J-102X	MG R	1kΩ 1/16W J
R1264	NRSA63J-152X	MG R	1.5kΩ 1/16W J
R1265	NRSA63J-153X	MG R	15kΩ 1/16W J

△ Symbol No.	Part No.	Part Name	Description
<b>RESISTOR</b>			
R1268	NRSA63J-272X	MG R	2.7kΩ 1/16W J
R1269	NRSA63J-332X	MG R	3.3kΩ 1/16W J
R1270	NRSA63J-222X	MG R	2.2kΩ 1/16W J
R1271	NRSA63J-332X	MG R	3.3kΩ 1/16W J
R1272-73	NRSA63J-101X	MG R	100Ω 1/16W J
R1274	NRSA02J-394X	MG R	390kΩ 1/10W J
R1275-76	NRSA63J-101X	MG R	100Ω 1/16W J
R1278	NRSA63J-471X	MG R	470Ω 1/16W J
R1279	NRSA63J-331X	MG R	330Ω 1/16W J
R1280	NRSA63J-101X	MG R	100Ω 1/16W J
R1282	NRVA63D-103X	MF R	10kΩ 1/16W±0.5%
R1283	NRSA63J-682X	MG R	6.8kΩ 1/16W J
R1284	NRSA63J-391X	MG R	390Ω 1/16W J
R1301	NRSA63J-0R0X	MG R	0.0Ω 1/16W J
R1302	NRSA63J-472X	MG R	4.7kΩ 1/16W J
R1303	NRSA63J-392X	MG R	3.9kΩ 1/16W J
R1304	NRSA63J-101X	MG R	100Ω 1/16W J
R1306	NRSA63J-105X	MG R	1MΩ 1/16W J
R1307	NRSA63J-123X	MG R	12kΩ 1/16W J
R1308	NRSA63J-222X	MG R	2.2kΩ 1/16W J
R1309	NRSA63J-124X	MG R	120kΩ 1/16W J
R1310	NRSA63J-272X	MG R	2.7kΩ 1/16W J
R1311-12	NRSA63J-101X	MG R	100Ω 1/16W J
R1313	NRSA63J-222X	MG R	2.2kΩ 1/16W J
R1314	NRSA63J-103X	MG R	10kΩ 1/16W J
R1317	NRSA63J-0R0X	MG R	0.0Ω 1/16W J
R1318	NRSA63J-821X	MG R	820Ω 1/16W J
R1319-22	NRSA63J-222X	MG R	2.2kΩ 1/16W J
R1323	NRSA63J-104X	MG R	100kΩ 1/16W J
R1324-25	NRSA63J-221X	MG R	220Ω 1/16W J
R1326	NRSA63J-0R0X	MG R	0.0Ω 1/16W J
R1327	NRSA63J-221X	MG R	220Ω 1/16W J
R1328-29	NRSA63J-101X	MG R	100Ω 1/16W J
R1330	NRSA63J-182X	MG R	1.8kΩ 1/16W J
R1331	NRSA63J-223X	MG R	22kΩ 1/16W J
R1332	NRSA63J-182X	MG R	1.8kΩ 1/16W J
R1333	NRSA63J-104X	MG R	100kΩ 1/16W J
R1334-37	NRSA63J-151X	MG R	150Ω 1/16W J
R1338	NRSA63J-182X	MG R	1.8kΩ 1/16W J
R1339	NRSA63J-104X	MG R	100kΩ 1/16W J
R1340-41	NRSA63J-151X	MG R	150Ω 1/16W J
R1342-43	NRVA63D-122X	MF R	1.2kΩ 1/16W±0.5%
R1344-45	NRSA63J-471X	MG R	470Ω 1/16W J
R1346-48	NRSA63J-680X	MG R	680Ω 1/16W J
R1349	NRSA63J-471X	MG R	470Ω 1/16W J
R1350	NRSA63J-563X	MG R	56kΩ 1/16W J
R1352	NRSA63J-103X	MG R	10kΩ 1/16W J
R1353	NRSA63J-223X	MG R	22kΩ 1/16W J
R1354	NRSA63J-471X	MG R	470Ω 1/16W J
R1355	NRSA63J-562X	MG R	5.6kΩ 1/16W J
R1359	NRSA63J-101X	MG R	100Ω 1/16W J
R1363	NRSA63J-101X	MG R	100Ω 1/16W J
R1364	NRSA63J-102X	MG R	1kΩ 1/16W J
R1365	NRSA63J-682X	MG R	6.8kΩ 1/16W J
R1366	NRSA63J-471X	MG R	470Ω 1/16W J
R1367	NRSA63J-222X	MG R	2.2kΩ 1/16W J
R1368	NRSA63J-103X	MG R	10kΩ 1/16W J
R1369	NRSA63J-0R0X	MG R	0.0Ω 1/16W J
R1370	NRVA63D-182X	MF R	1.8kΩ 1/16W±0.5%
R1371	NRSA63J-222X	MG R	2.2kΩ 1/16W J
R1373	NRSA63J-332X	MG R	3.3kΩ 1/16W J
R1374	NRSA63J-472X	MG R	4.7kΩ 1/16W J
R1377	NRSA63J-103X	MG R	10kΩ 1/16W J
R1378	NRSA63J-152X	MG R	1.5kΩ 1/16W J
R1379	NRSA63J-102X	MG R	1kΩ 1/16W J
R1380	NRSA63J-562X	MG R	5.6kΩ 1/16W J
R1381	NRVA63D-472X	MF R	4.7kΩ 1/16W±0.5%
R1382	NRSA63J-151X	MG R	150Ω 1/16W J

△ Symbol No.	Part No.	Part Name	Description
<b>RESISTOR</b>			
R1383	NRVA63D-332X	MF R	3.3kΩ 1/16W±0.5%
R1384-86	NRSA63J-221X	MG R	220Ω 1/16W J
R1387	NRVA63D-472X	MF R	4.7kΩ 1/16W±0.5%
R1388	NRSA63J-471X	MG R	470Ω 1/16W J
R1389	NRVA63D-272X	MF R	2.7kΩ 1/16W±0.5%
R1390	NRSA63J-153X	MG R	15kΩ 1/16W J
R1391-92	NRSA63J-221X	MG R	220Ω 1/16W J
R1393	NRSA63J-101X	MG R	100Ω 1/16W J
R1395	NRSA63J-102X	MG R	1kΩ 1/16W J
R1396	NRSA63J-561X	MG R	560Ω 1/16W J
R1397	NRSA63J-223X	MG R	22kΩ 1/16W J
R1399	NRSA63J-472X	MG R	4.7kΩ 1/16W J
R1402	NRSA63J-101X	MG R	100Ω 1/16W J
R1405-06	NRSA63J-0R0X	MG R	0.0Ω 1/16W J
R1408	NRSA63J-0R0X	MG R	0.0Ω 1/16W J
R1415	NRSA63J-0R0X	MG R	0.0Ω 1/16W J
R1430	NRSA63J-101X	MG R	100Ω 1/16W J
R1432	NRSA63J-682X	MG R	6.8kΩ 1/16W J
R1434	NRSA63J-103X	MG R	10kΩ 1/16W J
R1435	NRSA63J-473X	MG R	47kΩ 1/16W J
R1441	NRSA63J-223X	MG R	22kΩ 1/16W J
R1442	NRSA63J-103X	MG R	10kΩ 1/16W J
R1450	NRSA63J-221X	MG R	220Ω 1/16W J
R1451	NRSA63J-182X	MG R	1.8kΩ 1/16W J
R1452	NRSA63J-101X	MG R	100Ω 1/16W J
R1453	NRSA63J-391X	MG R	390Ω 1/16W J
R1454	NRSA63J-561X	MG R	560Ω 1/16W J
R1455	NRSA63J-562X	MG R	5.6kΩ 1/16W J
R1456	NRSA63J-223X	MG R	22kΩ 1/16W J
R1463	NRSA63J-102X	MG R	1kΩ 1/16W J
R1464	NRSA63J-122X	MG R	1.2kΩ 1/16W J
R1465	NRSA63J-102X	MG R	1kΩ 1/16W J
R1467	NRSA63J-103X	MG R	10kΩ 1/16W J
R1468	NRSA63J-101X	MG R	100Ω 1/16W J
R1469	NRSA63J-472X	MG R	4.7kΩ 1/16W J
R1470	NRSA63J-563X	MG R	56kΩ 1/16W J
R1472	NRSA63J-101X	MG R	100Ω 1/16W J
R1473	NRSA63J-152X	MG R	1.5kΩ 1/16W J
R1474	NRSA63J-562X	MG R	5.6kΩ 1/16W J
R1475	NRSA63J-102X	MG R	1kΩ 1/16W J
R1477	NRSA63J-562X	MG R	5.6kΩ 1/16W J
R1478	NRSA63J-152X	MG R	1.5kΩ 1/16W J
R1479	NRSA63J-101X	MG R	100Ω 1/16W J
R1480	NRSA63J-223X	MG R	22kΩ 1/16W J
R1481	NRSA63J-101X	MG R	100Ω 1/16W J
R1482	NRSA63J-103X	MG R	10kΩ 1/16W J
R1483	NRSA63J-182X	MG R	1.8kΩ 1/16W J
R1484	NRSA63J-221X	MG R	220Ω 1/16W J
R1485	NRSA63J-391X	MG R	390Ω 1/16W J
R1486	NRSA63J-561X	MG R	560Ω 1/16W J
R1487	NRSA63J-562X	MG R	5.6kΩ 1/16W J
R1488	NRSA63J-223X	MG R	22kΩ 1/16W J
R1490	NRSA63J-102X	MG R	1kΩ 1/16W J
R1491	NRSA63J-122X	MG R	1.2kΩ 1/16W J
R1492-93	NRSA63J-102X	MG R	1kΩ 1/16W J
R1495	NRSA63J-103X	MG R	10kΩ 1/16W J
R1496	NRSA63J-101X	MG R	100Ω 1/16W J
R1497	NRSA63J-472X	MG R	4.7kΩ 1/16W J
R1498	NRSA63J-563X	MG R	56kΩ 1/16W J
R1501-02	NRSA63J-221X	MG R	220Ω 1/16W J
R1503	NRSA63J-103X	MG R	10kΩ 1/16W J
R1507-08	NRSA63J-101X	MG R	100Ω 1/16W J
R1514	NRSA63J-0R0X	MG R	0.0Ω 1/16W J
R1515	NRSA63J-221X	MG R	220Ω 1/16W J
R1516	NRSA63J-682X	MG R	6.8kΩ 1/16W J
R1517	NRSA63J-221X	MG R	220Ω 1/16W J
R1518	NRSA63J-682X	MG R	6.8kΩ 1/16W J
R1519	NRSA63J-221X	MG R	220Ω 1/16W J
R1521-22	NRSA63J-221X	MG R	220Ω 1/16W J
R1524	NRSA63J-221X	MG R	220Ω 1/16W J

△ Symbol No.	Part No.	Part Name	Description
<b>RESISTOR</b>			
R1526	NRSA63J-682X	MG R	6.8kΩ 1/16W J
R1527	NRSA63J-221X	MG R	220Ω 1/16W J
R1528	NRSA63J-682X	MG R	6.8kΩ 1/16W J
R1529	NRSA63J-221X	MG R	220Ω 1/16W J
R1530	NRSA63J-102X	MG R	1kΩ 1/16W J
R1531	NRSA63J-101X	MG R	100Ω 1/16W J
R1532	NRSA63J-0R0X	MG R	0.0Ω 1/16W J
R1533	NRSA63J-221X	MG R	220Ω 1/16W J
R1534	NRSA63J-682X	MG R	6.8kΩ 1/16W J
R1535	NRSA63J-221X	MG R	220Ω 1/16W J
R1536	NRSA63J-682X	MG R	6.8kΩ 1/16W J
R1537-38	NRSA63J-221X	MG R	220Ω 1/16W J
R1539	NRSA63J-682X	MG R	6.8kΩ 1/16W J
R1547	NRSA63J-682X	MG R	6.8kΩ 1/16W J
R1548	NRSA63J-0R0X	MG R	0.0Ω 1/16W J
R1549	NRSA63J-682X	MG R	6.8kΩ 1/16W J
R1551	NRSA63J-0R0X	MG R	0.0Ω 1/16W J
R1554	NRSA63J-0R0X	MG R	0.0Ω 1/16W J
R1555	NRSA63J-103X	MG R	10kΩ 1/16W J
R1556-57	NRSA63J-101X	MG R	100Ω 1/16W J
R1560	NRSA63J-102X	MG R	1kΩ 1/16W J
R1561-62	NRSA63J-101X	MG R	100Ω 1/16W J
R1570	NRSA63J-103X	MG R	10kΩ 1/16W J
R1571	NRVA63D-152X	MF R	1.5kΩ 1/16W±0.5%
R1572	NRSA02F-471X	MG R	470Ω 1/10W F
R1576	NRSA63J-273X	MG R	27kΩ 1/16W J
R1577	NRSA63J-221X	MG R	220Ω 1/16W J
R1578	NRSA63J-682X	MG R	6.8kΩ 1/16W J
R1579	NRSA63J-221X	MG R	220Ω 1/16W J
R1581	NRSA63J-101X	MG R	100Ω 1/16W J
R1586-89	NRSA63J-0R0X	MG R	0.0Ω 1/16W J
R1611-12	NRSA63J-563X	MG R	56kΩ 1/16W J
R1613	NRSA63J-102X	MG R	1kΩ 1/16W J
R1614	NRSA63J-104X	MG R	100kΩ 1/16W J
R1615	NRSA63J-563X	MG R	56kΩ 1/16W J
R1616	NRSA63J-153X	MG R	15kΩ 1/16W J
R1617-19	NRSA63J-0R0X	MG R	0.0Ω 1/16W J
R1638-39	NRSA63J-0R0X	MG R	0.0Ω 1/16W J
R1644	NRSA63J-0R0X	MG R	0.0Ω 1/16W J
R1654-56	NRSA63J-0R0X	MG R	0.0Ω 1/16W J
R1658-59	NRSA63J-103X	MG R	10kΩ 1/16W J
R1661	NRSA63J-0R0X	MG R	0.0Ω 1/16W J
R1663	NRSA63J-0R0X	MG R	0.0Ω 1/16W J
R1665	NRSA63J-222X	MG R	2.2kΩ 1/16W J
R1666	NRSA63J-472X	MG R	4.7kΩ 1/16W J
R1667	NRSA63J-332X	MG R	3.3kΩ 1/16W J
R1668	NRSA63J-222X	MG R	2.2kΩ 1/16W J
R1669	NRSA63J-472X	MG R	4.7kΩ 1/16W J
R1670	NRSA63J-332X	MG R	3.3kΩ 1/16W J
△ R1671	QRJ146J-2R2X	C R	2.2Ω 1/4W J
△ R1672	QRJ146J-2R2X	C R	2.2Ω 1/4W J
△ R1673	QRK126J-102X	C R	1kΩ 1/2W J
△ R1674	QRK126J-102X	C R	1kΩ 1/2W J
R1680	NRSA63J-822X	MG R	8.2kΩ 1/16W J
R1681	NRSA63J-473X	MG R	47kΩ 1/16W J
R1682	NRSA63J-103X	MG R	10kΩ 1/16W J
R1691	NRSA63J-104X	MG R	100kΩ 1/16W J
R1701	NRSA63J-104X	MG R	100kΩ 1/16W J
R1702	NRSA63J-103X	MG R	10kΩ 1/16W J
R1703-04	NRSA63J-0R0X	MG R	0.0Ω 1/16W J
R1706	NRSA63J-104X	MG R	100kΩ 1/16W J
R1707	NRSA63J-0R0X	MG R	0.0Ω 1/16W J
R1709	NRSA63J-104X	MG R	100kΩ 1/16W J
R1714	NRSA63J-103X	MG R	10kΩ 1/16W J
R1715-16	NRSA63J-101X	MG R	100Ω 1/16W J
R1719	NRSA63J-0R0X	MG R	0.0Ω 1/16W J
R1721	NRSA63J-102X	MG R	1kΩ 1/16W J
R1722	NRSA63J-0R0X	MG R	0.0Ω 1/16W J
R1724	NRSA63J-103X	MG R	10kΩ 1/16W J
R1725-26	NRSA63J-0R0X	MG R	0.0Ω 1/16W J

△ Symbol No.	Part No.	Part Name	Description
<b>RESISTOR</b>			
R1727	NRSA63J-103X	MG R	10kΩ 1/16W J
R1728	NRSA63J-102X	MG R	1kΩ 1/16W J
R1729	NRSA63J-101X	MG R	100Ω 1/16W J
R1730	NRSA63J-272X	MG R	2.7kΩ 1/16W J
R1731	NRSA63J-101X	MG R	100Ω 1/16W J
R1732	NRSA63J-272X	MG R	2.7kΩ 1/16W J
R1733	NRSA63J-102X	MG R	1kΩ 1/16W J
R1735	NRSA63J-104X	MG R	100kΩ 1/16W J
R1736	NRSA63J-333X	MG R	33kΩ 1/16W J
R1737	NRSA63J-101X	MG R	100Ω 1/16W J
R1738	NRSA63J-333X	MG R	33kΩ 1/16W J
R1739	NRSA63J-101X	MG R	100Ω 1/16W J
R1744	NRSA63J-472X	MG R	4.7kΩ 1/16W J
R1746	NRSA63J-332X	MG R	3.3kΩ 1/16W J
R1747	NRSA63J-0R0X	MG R	0.0Ω 1/16W J
R1749	NRSA63J-124X	MG R	120kΩ 1/16W J
R1750	NRSA63J-104X	MG R	100kΩ 1/16W J
R1751	NRSA63J-473X	MG R	47kΩ 1/16W J
R1752	NRSA63J-333X	MG R	33kΩ 1/16W J
R1754	NRSA63J-0R0X	MG R	0.0Ω 1/16W J
R1756	NRSA63J-103X	MG R	10kΩ 1/16W J
R1757	NRSA63J-101X	MG R	100Ω 1/16W J
R1759	NRSA63J-101X	MG R	100Ω 1/16W J
R1760	NRSA63J-0R0X	MG R	0.0Ω 1/16W J
R1762	NRSA63J-124X	MG R	120kΩ 1/16W J
R1763-64	NRSA63J-333X	MG R	33kΩ 1/16W J
R1765	NRSA63J-102X	MG R	1kΩ 1/16W J
R1766	NRSA63J-332X	MG R	3.3kΩ 1/16W J
R1767	NRSA63J-151X	MG R	150Ω 1/16W J
R1768	NRSA63J-101X	MG R	100Ω 1/16W J
R1770	NRSA63J-101X	MG R	100Ω 1/16W J
R1775	NRSA63J-332X	MG R	3.3kΩ 1/16W J
R1776	NRSA63J-333X	MG R	33kΩ 1/16W J
R1777-78	NRSA63J-103X	MG R	10kΩ 1/16W J
R1779	NRSA63J-102X	MG R	1kΩ 1/16W J
R1780	NRSA63J-103X	MG R	10kΩ 1/16W J
R1781	NRSA63J-333X	MG R	33kΩ 1/16W J
R1782	NRSA63J-122X	MG R	1.2kΩ 1/16W J
R1783	NRSA63J-101X	MG R	100Ω 1/16W J
R1784	NRSA63J-682X	MG R	6.8kΩ 1/16W J
R1785	NRSA63J-103X	MG R	10kΩ 1/16W J
R1787	NRSA63J-562X	MG R	5.6kΩ 1/16W J
R1788-90	NRSA63J-560X	MG R	56Ω 1/16W J
R1791	NRSA63J-101X	MG R	100Ω 1/16W J
R1792	NRSA63J-102X	MG R	1kΩ 1/16W J
R1793	NRSA63J-104X	MG R	100kΩ 1/16W J
R1794	NRSA63J-101X	MG R	100Ω 1/16W J
R1802	NRSA63J-104X	MG R	100kΩ 1/16W J
R1803	NRSA63J-473X	MG R	47kΩ 1/16W J
R1808	NRSA63J-151X	MG R	150Ω 1/16W J
R1811	NRSA63J-101X	MG R	100Ω 1/16W J
R1814	NRSA63J-102X	MG R	1kΩ 1/16W J
R1815-16	NRSA63J-0R0X	MG R	0.0Ω 1/16W J
R1817	NRSA63J-101X	MG R	100Ω 1/16W J
R1818	NRSA63J-0R0X	MG R	0.0Ω 1/16W J
R1820	NRSA63J-393X	MG R	39kΩ 1/16W J
R1822	NRSA63J-472X	MG R	4.7kΩ 1/16W J
R1823	NRSA63J-124X	MG R	120kΩ 1/16W J
R1829	NRSA63J-103X	MG R	10kΩ 1/16W J
R1830-31	NRSA63J-102X	MG R	1kΩ 1/16W J
R1832	NRSA63J-103X	MG R	10kΩ 1/16W J
R1834	NRSA63J-102X	MG R	1kΩ 1/16W J
R1836	NRSA63J-101X	MG R	100Ω 1/16W J
R1837	NRSA63J-333X	MG R	33kΩ 1/16W J
R1838	NRSA63J-101X	MG R	100Ω 1/16W J
R1839	NRSA63J-333X	MG R	33kΩ 1/16W J
R1840	NRSA63J-102X	MG R	1kΩ 1/16W J
R1841	NRSA63J-474X	MG R	470kΩ 1/16W J
R1843-44	NRSA63J-103X	MG R	10kΩ 1/16W J
R1847	NRSA63J-101X	MG R	100Ω 1/16W J

△ Symbol No.	Part No.	Part Name	Description
<b>RESISTOR</b>			
R1866-67	NRSA63J-474X	MG R	470kΩ 1/16W J
R1880	NRSA63J-102X	MG R	1kΩ 1/16W J
R1881	NRSA63J-221X	MG R	220Ω 1/16W J
R1882	NRSA63J-222X	MG R	2.2kΩ 1/16W J
R1883	NRSA63J-103X	MG R	10kΩ 1/16W J
R1884	NRSA63J-102X	MG R	1kΩ 1/16W J
R1887	NRSA63J-221X	MG R	220Ω 1/16W J
R1888	NRSA63J-222X	MG R	2.2kΩ 1/16W J
R1889	NRSA63J-103X	MG R	10kΩ 1/16W J
R1891-95	NRSA63J-221X	MG R	220Ω 1/16W J
R1896-97	NRSA63J-563X	MG R	56kΩ 1/16W J
R1901	NRSA63J-471X	MG R	470Ω 1/16W J
R1902	NRSA63J-182X	MG R	1.8kΩ 1/16W J
R1941	QRK126J-5R6X	C R	5.6Ω 1/2W J
R1942-43	NRSA63J-152X	MG R	1.5kΩ 1/16W J
R1944	QRK126J-220X	C R	22Ω 1/2W J
R1945-46	NRSA63J-102X	MG R	1kΩ 1/16W J
R1947	NRSA63J-152X	MG R	1.5kΩ 1/16W J
R1949	NRSA02F-122X	MG R	1.2kΩ 1/10W F
R1950	NRSA63J-822X	MG R	8.2kΩ 1/16W J
R1952	NRSA63J-0R0X	MG R	0.0Ω 1/16W J
R1953	NRSA63J-224X	MG R	220kΩ 1/16W J
R1954-55	NRSA63J-473X	MG R	47kΩ 1/16W J
R1959	NRSA02F-182X	MG R	1.8kΩ 1/10W F
R1961	NRSA63J-821X	MG R	820Ω 1/16W J
R1962	NRSA63J-682X	MG R	6.8kΩ 1/16W J
R1963	NRSA63J-182X	MG R	1.8kΩ 1/16W J
R1964	NRSA63J-223X	MG R	22kΩ 1/16W J
R1965	NRSA63J-821X	MG R	820Ω 1/16W J
R1966	NRSA63J-123X	MG R	12kΩ 1/16W J
R1967	NRSA63J-122X	MG R	1.2kΩ 1/16W J
R1968-69	NRSA63J-821X	MG R	820Ω 1/16W J
R1981	QRG01GJ-181	OM R	180Ω 1W J
R1986	QRG01GJ-331	OM R	330Ω 1W J
R1991	NRSA63J-273X	MG R	27kΩ 1/16W J
R1992-93	NRSA63J-123X	MG R	12kΩ 1/16W J
R1994	NRSA63J-333X	MG R	33kΩ 1/16W J
R1996-98	NRSA63J-101X	MG R	100Ω 1/16W J
<b>CAPACITOR</b>			
C1002-03	NCF31A7-105X	C CAP.	1μF 10V Z
C1011	NDC31HJ-100X	C CAP.	10pF 50V J
C1012	NCF31CZ-104X	C CAP.	0.1μF 16V Z
C1013	NDC31HJ-5R0X	C CAP.	5.0pF 50V J
C1021	NCF11EZ-105X	C CAP.	1μF 25V Z
C1102	QETN1CM-477Z	E CAP.	470μF 16V M
C1103-04	QETN1HM-106Z	E CAP.	10μF 50V M
C1108	QETN1HM-106Z	E CAP.	10μF 50V M
C1131-33	QETN1EM-476Z	E CAP.	47μF 25V M
C1134	NCF11EZ-105X	C CAP.	1μF 25V Z
C1135-37	NCB11CK-105X	C CAP.	1μF 16V K
C1138	QRN143J-0R0X	C R	0.0Ω 1/4W J
C1139	QRN143J-0R0X	C R	0.0Ω 1/4W J
C1140	QRN143J-0R0X	C R	0.0Ω 1/4W J
C1148	NCB31EK-104X	CHIP CAP.	0.1μF 25V K
C1149	QETN1CM-107Z	E CAP.	100μF 16V M
C1150-52	NCF21CZ-105X	C CAP.	1μF 16V Z
C1160	QETN1CM-107Z	E CAP.	100μF 16V M
C1162	NCB31EK-104X	CHIP CAP.	0.1μF 25V K
C1173-75	NCB11CK-105X	C CAP.	1μF 16V K
C1176-78	NCB31HK-103X	C CAP.	0.01μF 50V K
C1213	QETN1CM-107Z	E CAP.	100μF 16V M
C1214	QETN1HM-225Z	E CAP.	2.2μF 50V M
C1215	QFLC1HJ-103Z	M CAP.	0.01μF 50V J
C1216	NCF11CZ-475X	C CAP.	4.7μF 16V Z
C1218	QENC1HM-105Z	BP E CAP.	1μF 50V M
C1219	NCF11CZ-475X	C CAP.	4.7μF 16V Z
C1233	NDC31HJ-180X	C CAP.	18pF 50V J
C1241-42	NCF31CZ-104X	C CAP.	0.1μF 16V Z
C1243	QETN1CM-476Z	E CAP.	47μF 16V M



Symbol No.	Part No.	Part Name	Description
<b>CAPACITOR</b>			
C1244	NCF31CZ-104X	C CAP.	0.1μF 16V Z
C1245	QETN1CM-476Z	E CAP.	47μF 16V M
C1250-51	NCF31CZ-104X	C CAP.	0.1μF 16V Z
C1252	QENC1EM-106Z	BP E CAP.	10μF 25V M
C1253	NCB31HK-103X	C CAP.	0.01μF 50V K
C1254	QETN1CM-227Z	E CAP.	220μF 16V M
C1255	QETN1HM-474Z	E CAP.	0.47μF 50V M
C1256	NCB11CK-105X	C CAP.	1μF 16V K
C1259-60	NCF31CZ-104X	C CAP.	0.1μF 16V Z
C1261	NDC31HJ-150X	C CAP.	150pF 50V J
C1262	NDC31HJ-471X	C CAP.	470pF 50V J
C1263	NCB31HK-103X	C CAP.	0.01μF 50V K
C1264-65	NDC31HJ-101X	C CAP.	100pF 50V J
C1266	NCF31CZ-104X	C CAP.	0.1μF 16V Z
C1267-68	NCB11CK-105X	C CAP.	1μF 16V K
C1269	QETN1HM-475Z	E CAP.	4.7μF 50V M
C1270-71	QETN1HM-474Z	E CAP.	0.47μF 50V M
C1272	QETN1HM-105Z	E CAP.	1μF 50V M
C1273	NCB31HK-472X	C CAP.	4700pF 50V K
C1275	QETN1HM-105Z	E CAP.	1μF 50V M
C1276	QETN1CM-227Z	E CAP.	220μF 16V M
C1277-78	NCB31HK-103X	C CAP.	0.01μF 50V K
C1301-03	QENC1HM-105Z	BP E CAP.	1μF 50V M
C1304	QETN1HM-105Z	E CAP.	1μF 50V M
C1305	NCF11CZ-475X	C CAP.	4.7μF 16V Z
C1306	QETN1AM-477Z	E CAP.	470μF 10V M
C1307	NCB31HK-472X	C CAP.	4700pF 50V K
C1308-13	NCB31CK-104X	CHIP CAP.	0.1μF 16V K
C1315-16	NCB31HK-472X	C CAP.	4700pF 50V K
C1317	QETN1EM-476Z	E CAP.	47μF 25V M
C1318	QETN1HM-225Z	E CAP.	2.2μF 50V M
C1319	QETN1HM-105Z	E CAP.	1μF 50V M
C1320	QETN1HM-475Z	E CAP.	4.7μF 50V M
C1321-23	QETN1HM-335Z	E CAP.	3.3μF 50V M
C1325-27	NCB11CK-105X	C CAP.	1μF 16V K
C1329	NCB31HK-103X	C CAP.	0.01μF 50V K
C1332-34	NCB21AK-105X	CHIP CAP.	1μF 10V K
C1335	QETN1EM-476Z	E CAP.	47μF 25V M
C1336	NCB31HK-472X	C CAP.	4700pF 50V K
C1339	NCF11CZ-475X	C CAP.	4.7μF 16V Z
C1341-46	NCF11EZ-105X	C CAP.	1μF 25V Z
C1351	NCF31AZ-105X	C CAP.	1μF 10V Z
C1352	NDC31HJ-151X	C CAP.	150pF 50V J
C1357	NCB31HK-102X	C CAP.	1000pF 50V K
C1358	NDC31HJ-100X	C CAP.	10pF 50V J
C1359	NCB31HK-472X	C CAP.	4700pF 50V K
C1361	QETN1HM-226Z	E CAP.	22μF 50V M
C1362	NCB31CK-563X	CHIP CAP.	0.056μF 16V K
C1363	QETN1HM-226Z	E CAP.	22μF 50V M
C1364	NCB31CK-104X	CHIP CAP.	0.1μF 16V K
C1366	QETN1CM-107Z	E CAP.	100μF 16V M
C1381-82	NCF11CZ-475X	C CAP.	4.7μF 16V Z
C1386	NCF31AZ-105X	C CAP.	1μF 10V Z
C1391	NCF31AZ-105X	C CAP.	1μF 10V Z
C1401	QETN1AM-477Z	E CAP.	470μF 10V M
C1402	QETN0JM-108Z	E CAP.	1000μF 6.3V M
C1403	QETN1CM-107Z	E CAP.	100μF 16V M
C1404	QETN1AM-108Z	E CAP.	1000μF 10V M
C1405	QETN0JM-108Z	E CAP.	1000μF 6.3V M
C1409	QETN1HM-106Z	E CAP.	10μF 50V M
C1410-11	NCB31CK-104X	CHIP CAP.	0.1μF 16V K
C1413	NCB31HK-103X	C CAP.	0.01μF 50V K
C1414	QETN1EM-476Z	E CAP.	47μF 25V M
C1415	NCB31HK-103X	C CAP.	0.01μF 50V K
C1416	QETN1EM-476Z	E CAP.	47μF 25V M
C1417	NCB31HK-103X	C CAP.	0.01μF 50V K
C1418	QETN1EM-476Z	E CAP.	47μF 25V M
C1424-26	QETN1CM-336Z	E CAP.	33μF 16V M
C1427	QRN143J-OR0X	C R	0.00 1/4W J
C1428	QRN143J-OR0X	C R	0.00 1/4W J
C1429	QRN143J-OR0X	C R	0.00 1/4W J

Symbol No.	Part No.	Part Name	Description
<b>CAPACITOR</b>			
C1438	NCB31HK-103X	C CAP.	0.01μF 50V K
C1442	NCB31HK-103X	C CAP.	0.01μF 50V K
C1444	NCB11CK-225X	CHIP CAP.	2.2μF 16V K
C1445	NCB31HK-103X	C CAP.	0.01μF 50V K
C1446	NCB31HK-102X	C CAP.	1000pF 50V K
C1447	NDC31HJ-151X	C CAP.	150pF 50V J
C1449	NDC31HJ-560X	C CAP.	56pF 50V J
C1450-51	NCB31HK-103X	C CAP.	0.01μF 50V K
C1452	NCB31HK-102X	C CAP.	1000pF 50V K
C1453	NCB31AK-474X	CHIP CAP.	0.47μF 10V K
C1454	NCB11CK-225X	CHIP CAP.	2.2μF 16V K
C1480-81	NCB31HK-103X	C CAP.	0.01μF 50V K
C1482	NCB11CK-225X	CHIP CAP.	2.2μF 16V K
C1483-84	NCB31HK-103X	C CAP.	0.01μF 50V K
C1485	NCB31HK-102X	C CAP.	1000pF 50V K
C1486	NDC31HJ-151X	C CAP.	150pF 50V J
C1487	NCB31HK-102X	C CAP.	1000pF 50V K
C1488	NDC31HJ-7R0X	C CAP.	7.0pF 50V J
C1489	NDC31HJ-560X	C CAP.	56pF 50V J
C1490	NCB31HK-103X	C CAP.	0.01μF 50V K
C1491	NCB11CK-225X	CHIP CAP.	2.2μF 16V K
C1501	NCB31EK-104X	CHIP CAP.	0.1μF 25V K
C1502	QETN1EM-476Z	E CAP.	47μF 25V M
C1514-15	QENC1HM-105Z	BP E CAP.	1μF 50V M
C1516	QENC1CM-106Z	BP E CAP.	10μF 16V M
C1519	QETN1EM-476Z	E CAP.	47μF 25V M
C1520	NDC31HJ-100X	C CAP.	10pF 50V J
C1521	QENC1CM-336Z	BP E CAP.	33μF 16V M
C1522	NCB31HK-103X	C CAP.	0.01μF 50V K
C1532	QETN1HM-226Z	E CAP.	22μF 50V M
C1539	QETN1HM-106Z	E CAP.	10μF 50V M
C1560	NCF11EZ-105X	C CAP.	1μF 25V Z
C1579	QETN1EM-476Z	E CAP.	47μF 25V M
C1582	QENC1CM-336Z	BP E CAP.	33μF 16V M
C1583	NCB11CK-225X	CHIP CAP.	2.2μF 16V K
C1663	NRSAG3J-OR0X	MG R	0.00 1/16W J
C1665	NRSAG3J-OR0X	MG R	0.00 1/16W J
C1667	QETN1HM-106Z	E CAP.	10μF 50V M
C1668	NDC31HJ-101X	C CAP.	100pF 50V J
C1669	NCB11CK-105X	C CAP.	1μF 16V K
C1670	QETN1HM-106Z	E CAP.	10μF 50V M
C1671	NDC31HJ-101X	C CAP.	100pF 50V J
C1672	NCB11CK-105X	C CAP.	1μF 16V K
C1673	QETN1HM-107Z	E CAP.	100μF 50V M
C1674	QETN1HM-108	E CAP.	1000μF 50V M
C1675-76	QFV71HJ-124Z	MF CAP.	0.12μF 50V J
C1677-78	QETN1EM-108Z	E CAP.	1000μF 25V M
C1680	QETN1HM-106Z	E CAP.	10μF 50V M
C1696	QETN1HM-106Z	E CAP.	10μF 50V M
C1697	QETN1EM-476Z	E CAP.	47μF 25V M
C1701	NCB31EK-104X	CHIP CAP.	0.1μF 25V K
C1702	NCB11CK-225X	CHIP CAP.	2.2μF 16V K
C1703	QETN1EM-476Z	E CAP.	47μF 25V M
C1704	NCB11CK-225X	CHIP CAP.	2.2μF 16V K
C1706	NCB11CK-105X	C CAP.	1μF 16V K
C1708	NDC31HJ-470X	C CAP.	47pF 50V J
C1709	NDC31HJ-101X	C CAP.	100pF 50V J
C1710	NCB31EK-104X	CHIP CAP.	0.1μF 25V K
C1711	NCF31CZ-104X	C CAP.	0.1μF 16V Z
C1712	QETN1HM-106Z	E CAP.	10μF 50V M
C1715	NDC31HJ-102X	C CAP.	1000pF 50V J
C1716	NCB31HK-103X	C CAP.	0.01μF 50V K
C1717	NCF31CZ-104X	C CAP.	0.1μF 16V Z
C1718	QETN1EM-476Z	E CAP.	47μF 25V M
C1719	QETN1HM-475Z	E CAP.	4.7μF 50V M
C1720	NDC31HJ-101X	C CAP.	100pF 50V J
C1721	NCB31HK-103X	C CAP.	0.01μF 50V K
C1722	QETN1HM-475Z	E CAP.	4.7μF 50V M
C1723	NCB31HK-152X	CHIP CAP.	1500pF 50V K
C1724	QETN1HM-105Z	E CAP.	1μF 50V M
C1725	NDC31HJ-470X	C CAP.	47pF 50V J

Symbol No.	Part No.	Part Name	Description
<b>CAPACITOR</b>			
C1726-27	QETN1HM-105Z	E CAP.	1μF 50V M
C1728	NCB21AK-105X	CHIP CAP.	1μF 10V K
C1729	QETN1EM-476Z	E CAP.	47μF 25V M
C1730-31	QETN1HM-105Z	E CAP.	1μF 50V M
C1732	NCB31HK-103X	C CAP.	0.01μF 50V K
C1733	QETN1HM-475Z	E CAP.	4.7μF 50V M
C1734	NDC31HJ-470X	C CAP.	47pF 50V J
C1735	NCB31HK-153X	C CAP.	0.015μF 50V K
C1743	NDC31HJ-330X	C CAP.	33pF 50V J
C1744	NDC31HJ-390X	C CAP.	39pF 50V J
C1745	NCB31HK-153X	C CAP.	0.015μF 50V K
C1752	NCB11CK-105X	C CAP.	1μF 16V K
C1754	NCB31HK-122X	CHIP CAP.	1200pF 50V K
C1755	QETN1HM-105Z	E CAP.	1μF 50V M
C1756	NCB31HK-122X	CHIP CAP.	1200pF 50V K
C1757	QETN1HM-105Z	E CAP.	1μF 50V M
C1801	NDC31HJ-391X	C CAP.	390pF 50V J
C1802	QETN1HM-106Z	E CAP.	10μF 50V M
C1901	QETN1EM-107Z	E CAP.	100μF 25V M
C1902	QETN1CM-107Z	E CAP.	100μF 16V M
C1908-09	QETN1CM-107Z	E CAP.	100μF 16V M
C1941	QETN1EM-108Z	E CAP.	1000μF 25V M
C1942	QETN1CM-108Z	E CAP.	1000μF 16V M
C1944	QETN1EM-477Z	E CAP.	470μF 25V M
C1945	QEZO256-128	E CAP.	1200μF 10V M
C1947-48	QETN1CM-477Z	E CAP.	470μF 16V M
C1949-50	QETNOJM-108Z	E CAP.	1000μF 6.3V M
C1951	QETN1EM-477Z	E CAP.	470μF 25V M
C1952-54	QETNOJM-108Z	E CAP.	1000μF 6.3V M
C1961	QETN1HM-105Z	E CAP.	1μF 50V M
C1988	NCB31HK-222X	CHIP CAP.	2200pF 50V K

Symbol No.	Part No.	Part Name	Description
<b>COIL</b>			
L1101	QRN143J-OROX	C R	0.0Ω 1/4W J
L1102	QRN143J-OROX	C R	0.0Ω 1/4W J
L1211	QQL25CK-100Z	COIL	10μH K
L1243-44	NQL024J-100X	COIL	10μH K
L1401	QQL25CK-100Z	COIL	10μH K
L1402	QQL26AK-100Z	CHOKE COIL	
L1403	QRN143J-OROX	C R	0.0Ω 1/4W J
L1404	QRN143J-OROX	C R	0.0Ω 1/4W J
L1430-31	NQL085J-560X	INDUCTOR	
L1481-82	NQL085J-560X	INDUCTOR	
L1711	NQL085J-1R5X	CHIP INDUCTOR	
L1712-14	NQL085J-3R3X	CHIP INDUCTOR	
L1941	QQR1129-001	CHOKE COIL	
L1942	QQR1128-001	CHOKE COIL	
L1943	QQL50AK-330Z	CHOKE COIL	
L1944	QQL26AK-330Z	COIL	33μH K
L1945-46	QQL26AK-220Z	COIL	22μH K
L1947	QQR1129-001	CHOKE COIL	
L1948-49	QQL26AK-220Z	COIL	22μH K
L1950	QQL26AK-820Z	COIL	82μH K
L1953	QRN143J-OROX	C R	0.0Ω 1/4W J

Symbol No.	Part No.	Part Name	Description
<b>DIODE</b>			
D1304	MA111-X	SI DIODE	
D1306	MA111-X	SI DIODE	
D1308	MA8100/M/-X	ZENER DIODE	
D1309-10	MA111-X	SI DIODE	
D1352	MA111-X	SI DIODE	
D1353	MA8150/M/-X	ZENER DIODE	
D1354	MA8030/H/-X	ZENER DIODE	
D1431-32	MA111-X	SI DIODE	
D1481-82	MA111-X	SI DIODE	
D1662-63	MA3330/L/-X	ZENER DIODE	
D1667-69	MA111-X	SI DIODE	
D1701	1SR35-400A-T5	SI DIODE	
D1702	MA111-X	SI DIODE	
D1704	MA111-X	SI DIODE	
D1708-09	MA111-X	SI DIODE	

Symbol No.	Part No.	Part Name	Description
<b>DIODE</b>			
D1713-16	MA111-X	SI DIODE	
D1718	MA111-X	SI DIODE	
D1719	NRSA63J-OROX	MG R	0.0Ω 1/16W J
D1721-22	MA704A-X	SI DIODE	
D1891-92	UDZ58.2B-X	ZENER DIODE	
D1893-95	UDZ55.1B-X	ZENER DIODE	
D1901	1SR35-400A-T5	SI DIODE	
D1903	1SR35-400A-T5	SI DIODE	
D1941-43	RK34-LFC4	SI DIODE	
D1962	MA3030/H/-X	ZENER DIODE	
D1964-65	MA111-X	SI DIODE	
D1967	PTZ11B-X	ZENER DIODE	
D1968	PTZ6.8B-X	ZENER DIODE	
D1969	PTZ11B-X	ZENER DIODE	

Symbol No.	Part No.	Part Name	Description
<b>TRANSISTOR</b>			
Q1001	2SC2412K/QR/-X	SI TRANSISTOR	
Q1021	2SC2412K/QR/-X	SI TRANSISTOR	
Q1232	2SA1037AK/QR/-X	SI TRANSISTOR	
Q1242-43	2SC2412K/QR/-X	SI TRANSISTOR	
Q1246	2SC2412K/QR/-X	SI TRANSISTOR	
Q1248-49	2SA1037AK/QR/-X	SI TRANSISTOR	
Q1301-03	2SA1022/BC/-X	SI TRANSISTOR	
Q1304-06	2SC3837K/NP/-X	SI TRANSISTOR	
Q1307	2SC2412K/QR/-X	SI TRANSISTOR	
Q1321	1MX1-XW	SI TRANSISTOR	
Q1323	2SC2412K/QR/-X	SI TRANSISTOR	
Q1324	2SA1022/BC/-X	SI TRANSISTOR	
Q1331-33	2SC3837K/NP/-X	SI TRANSISTOR	
Q1431	2SC2412K/QR/-X	SI TRANSISTOR	
Q1432	2SA1037AK/QR/-X	SI TRANSISTOR	
Q1433	2SC2412K/QR/-X	SI TRANSISTOR	
Q1436-38	2SC2412K/QR/-X	SI TRANSISTOR	
Q1439	2SA1037AK/QR/-X	SI TRANSISTOR	
Q1481-84	2SC2412K/QR/-X	SI TRANSISTOR	
Q1485	2SA1037AK/QR/-X	SI TRANSISTOR	
Q1505	2SC2412K/QR/-X	SI TRANSISTOR	
Q1668	DTC144EKA-X	DIGI. TRANSISTOR	
Q1669	2SC2412K/QR/-X	SI TRANSISTOR	
Q1672	2SC2412K/QR/-X	SI TRANSISTOR	
Q1673	2SA1037AK/QR/-X	SI TRANSISTOR	
Q1701	DTC144EKA-X	DIGI. TRANSISTOR	
Q1702-04	2SA1037AK/QR/-X	SI TRANSISTOR	
Q1706-07	2SC2412K/QR/-X	SI TRANSISTOR	
Q1710-11	2SC2412K/QR/-X	SI TRANSISTOR	
Q1714	2SC2785/JH/-T	SI TRANSISTOR	
Q1715	2SA1037AK/QR/-X	SI TRANSISTOR	
Q1961-62	2SC2412K/QR/-X	SI TRANSISTOR	
Q1964-65	2SC2412K/QR/-X	SI TRANSISTOR	
Q1981	2SC4682-T	SI TRANSISTOR	
Q1984	2SC4682-T	SI TRANSISTOR	

Symbol No.	Part No.	Part Name	Description
<b>IC</b>			
IC1001	TC74HC02AF-X	I. C. (DIGI-MOS)	
IC1002	TC74HC14AF-X	I. C. (DIGI-MOS)	
IC1011	TC7W04F-X	I. C. (DIGI-MOS)	
IC1021	TC4W66F-X	I. C. (DIGI-MOS)	
IC1131	MS2055FP-X	I. C. (MONO-ANA)	
IC1151	MM1519XQ	I. C. (MONO-ANA)	
IC1211	TA1318N	I. C. (M)	
IC1212	TC7W08F-X	I. C. (ECL-LOGIC)	
IC1241	CXA2019AQ	I. C. (MONO-ANA)	
IC1242	TA78L09F-X	I. C. (MONO-ANA)	
IC1301	ANS392FBQ	I. C. (MONO-ANA)	
IC1302	CXA1875AM-X	I. C. (MONO-ANA)	
IC1351	TC74HC4538AF-X	I. C. (DIGI-MOS)	
IC1431	TC4W66F-X	I. C. (DIGI-MOS)	
IC1501	CXA2069Q	I. C. (MONO-ANA)	
IC1502	M62320FP-X	I. C. (M)	
IC1511	PQ15RW11	I. C. (MONO-ANA)	
IC1521	CE42599-002	COMB FILTER	
IC1560	BU2098F-X	I. C. (DIGI-MOS)	
IC1661	ANS277	I. C. (MONO-ANA)	

△ Symbol No.	Part No.	Part Name	Description
<b>IC</b>			
IC1701	MN102H57KJX	I C	
IC1702	S-80828ALNP-W	I.C. (MONO-ANA)	
IC1703	AT24LC-36P902	I.C.	(SERVICE)
IC1704	TA48M033F-X	I.C. (M)	
IC1852	S-80840ALNP-W	I.C. (MONO-ANA)	
IC1901	PQ12RF1	I.C.	
IC1903	AN7805F	I.C. (MONO-ANA)	
IC1941	SI-8090S	I.C. (HYBRID)	
IC1942	SI-8050S	I.C. (HYBRID)	
IC1943	PQ1CG21H2FZ	I.C. (MONO-ANA)	

<b>OTHERS</b>			
CF1241	QAX0529-001	CER. RESONATOR	
CN1007	QGB1505J1-25	CONNECTOR	
K1151	NRS5A63J-OROX	MG R	0.0Ω 1/16W J
K1703	NQRO199-004X	FERRITE BEADS	
K1941	QRN143J-OROX	C R	0.0Ω 1/4W J
K1942	QRN143J-OROX	C R	0.0Ω 1/4W J
K1943	CE42050-001Z	CORE	
K1944	CE42050-001Z	CORE	
SL1211	CSB503F30-T2	CER. RESONATOR	
SL1701	QAX0248-001Z	CER. RESONATOR	
△ TU1101	QAU0206-001	TUNER	
X1241	CE41651-001Z	CRYSTAL	

**DEF POWER P.W. BOARD ASS'Y (SSB-2026A-M2)**

△ Symbol No.	Part No.	Part Name	Description
<b>RESISTOR</b>			
R2201	QRA14CF-1003Y	MF R	100kΩ 1/4W F
R2202-03	QRA14CF-5603Y	MF R	560kΩ 1/4W F
R2401	QRE141J-562Y	C R	5.6kΩ 1/4W J
R2402	QRE141J-103Y	C R	10kΩ 1/4W J
R2403	QRE121J-180Y	C R	18Ω 1/2W J
R2404	QRA14CF-6801Y	MF R	6.8kΩ 1/4W F
R2405	QRA14CF-6801Y	MF R	6.8kΩ 1/4W F
R2406	QRA14CF-1002Y	MF R	10kΩ 1/4W F
R2407-08	QRA14CF-8200Y	MF R	820Ω 1/4W F
R2409	QRL029J-221	OM R	220Ω 2W J
R2410	QRT029J-2R2	MF R	2.2Ω 2W J
R2411	QRE121J-5R6Y	C R	5.6Ω 1/2W J
R2412	QRE141J-472Y	C R	4.7kΩ 1/4W J
R2413	QRE141J-104Y	C R	100kΩ 1/4W J
R2415	QRE141J-154Y	C R	150kΩ 1/4W J
R2416	QRE141J-103Y	C R	10kΩ 1/4W J
R2418	QRE141J-222Y	C R	2.2kΩ 1/4W J
R2420	QRE141J-101Y	C R	100Ω 1/4W J
R2421	QRE141J-472Y	C R	4.7kΩ 1/4W J
R2422	QRE141J-222Y	C R	2.2kΩ 1/4W J
R2431	QRE141J-332Y	C R	3.3kΩ 1/4W J
R2432	QRE141J-154Y	C R	150kΩ 1/4W J
R2433	QRE141J-223Y	C R	22kΩ 1/4W J
R2434	QRE141J-104Y	C R	100kΩ 1/4W J
R2502	QRE141J-222Y	C R	2.2kΩ 1/4W J
R2503	QRE121J-271Y	C R	270Ω 1/2W J
R2504	QRE141J-820Y	C R	82Ω 1/4W J
R2505-06	QRL039J-330	OM R	33Ω 3W J
R2507	QRE121J-102Y	C R	1kΩ 1/2W J
R2508	QRT029J-R22	MF R	0.22Ω 2W J
R2509	QRE121J-220Y	C R	22Ω 1/2W J
R2512	QRL029J-821	OM R	820Ω 2W J
R2515	QRE121J-470Y	C R	47Ω 1/2W J
R2516	QRE121J-3R3Y	C R	3.3Ω 1/2W J
R2521	QRE141J-104Y	C R	100kΩ 1/4W J

△ Symbol No.	Part No.	Part Name	Description
<b>RESISTOR</b>			
R2522	QRE141J-563Y	C R	56kΩ 1/4W J
R2523	QRE141J-822Y	C R	8.2kΩ 1/4W J
R2524	QRE141J-682Y	C R	6.8kΩ 1/4W J
R2525	QRE141J-102Y	C R	1kΩ 1/4W J
R2526	QRE141J-470Y	C R	47Ω 1/4W J
R2531	QRL029J-102	OM R	1kΩ 2W J
R2532-33	QRL029J-820	OM R	82Ω 2W J
R2534	QRE141J-102Y	C R	1kΩ 1/4W J
R2535-36	QRE141J-470Y	C R	47Ω 1/4W J
△ R2561	QRA14CF-1202Y	MF R	12kΩ 1/4W F
△ R2562	QRA14CF-3301Y	MF R	3.3kΩ 1/4W F
△ R2563	QRA14CF-1802Y	MF R	18kΩ 1/4W F
R2565	QRE141J-223Y	C R	22kΩ 1/4W J
R2571	QRE121J-104Y	C R	100kΩ 1/2W J
R2572	QRE141J-152Y	C R	1.5kΩ 1/4W J
R2573	QRE141J-153Y	C R	15kΩ 1/4W J
R2574	QRE141J-104Y	C R	100kΩ 1/4W J
R2591	QRF154K-3R3	UNF R	3.3Ω 15W K
R2701	QRG01GJ-220	OM R	22Ω 1W J
R2702	QRE121J-123Y	C R	12kΩ 1/2W J
R2703	QRZ0056-103Z	COMP R	10kΩ 1/2W K
R2901	QRF154K-1R0	UNF R	1.0Ω 15W K
R2902	QRG01GJ-470	OM R	47Ω 1W J
R2910	QRE121J-152Y	C R	1.5kΩ 1/2W J
R2911	QRL029J-183	OM R	18kΩ 2W J
R2912-13	QRT029J-R18	MF R	0.18Ω 2W J
△ R2914	QRK126J-681X	C R	680Ω 1/2W J
R2915	QRE121J-3R3Y	C R	3.3Ω 1/2W J
R2916	QRT029J-R15	MF R	0.15Ω 2W J
△ R2917	QRK126J-332X	C R	3.3kΩ 1/2W J
R2918	QRE121J-122Y	C R	1.2kΩ 1/2W J
R2920	QRE121J-684Y	C R	680kΩ 1/2W J
R2921	QRE121J-181Y	C R	180Ω 1/2W J
R2922	QRE141J-103Y	C R	10kΩ 1/4W J
R2923	QRE141J-473Y	C R	47kΩ 1/4W J
R2924	QRE121J-222Y	C R	2.2kΩ 1/2W J
R2925	QRE141J-472Y	C R	4.7kΩ 1/4W J
R2926	QRA14CF-6801Y	MF R	6.8kΩ 1/4W F
R2927	QRE141J-123Y	C R	12kΩ 1/4W J
R2928	QRA14CF-8200Y	MF R	820Ω 1/4W F
R2929	QRA14CF-3901Y	MF R	3.9kΩ 1/4W F
R2933	QRE141J-473Y	C R	47kΩ 1/4W J
R2934	QRE141J-473Y	C R	47kΩ 1/4W J
R2937	QRT029J-1R0	MF R	1.0Ω 2W J
R2940	QRE121J-181Y	C R	180Ω 1/2W J
R2941	QRE141J-561Y	C R	560Ω 1/4W J
R2943	QRE141J-104Y	C R	100kΩ 1/4W J
R2944	QRE141J-122Y	C R	1.2kΩ 1/4W J
R2945	QRE141J-272Y	C R	2.7kΩ 1/4W J
R2946	QRE141J-222Y	C R	2.2kΩ 1/4W J
R2951	QRE141J-473Y	C R	47kΩ 1/4W J
R2952	QRE141J-222Y	C R	2.2kΩ 1/4W J
R2953	QRE121J-181Y	C R	180Ω 1/2W J
R2954	QRE121J-221Y	C R	220Ω 1/2W J
R2972	QRA14CF-1101Y	MF R	1.1kΩ 1/4W F
R2973	QRE121J-822Y	C R	8.2kΩ 1/2W J
R2975	QRE121J-223Y	C R	22kΩ 1/2W J
R2977	QRE141J-473Y	C R	47kΩ 1/4W J
R2978	QRE141J-333Y	C R	33kΩ 1/4W J
△ R2999	QRZ0111-685	C R	6.8MΩ 1/2W K

<b>CAPACITOR</b>			
C2201	QFV71HJ-334Z	MF CAP.	0.33μF 50V J
C2401	QETN1VM-108Z	E CAP.	1000μF 35V M
C2402	QFN31HJ-152Z	M CAP.	15000pF 50V J
C2403	QCS32HJ-180Z	C CAP.	18pF 500V J
C2404	QFLC2AJ-104Z	M CAP.	0.1μF 100V J
C2405	QFV71HJ-104Z	MF CAP.	0.1μF 50V J
C2406	QETN1VM-107Z	E CAP.	100μF 35V M
C2407	QETN1HM-105Z	E CAP.	1μF 50V M

Symbol No.	Part No.	Part Name	Description
<b>CAPACITOR</b>			
C2408	QFLC2AJ-104Z	M CAP.	0.1µF 100V J
C2409-10	QETN1HM-106Z	E CAP.	10µF 50V M
C2411	QCB31HK-222Z	C CAP.	2200pF 50V K
C2412-13	QENC1CM-226Z	BP E CAP.	22µF 16V M
C2501	QETN1EM-476Z	E CAP.	47µF 25V M
C2502	QFV71HJ-224Z	MF CAP.	0.22µF 50V J
C2503	QEM61HK-475Z	E CAP.	4.7µF 50V K
C2504	QCB32HK-561Z	C CAP.	560pF 500V K
C2505	QCB32HK-391Z	C CAP.	390pF 500V K
△ C2506	QFZ0122-622	MPP CAP.	6200pF1.8KVH±3%
△ C2507	QFZ0122-622	MPP CAP.	6200pF1.8KVH±3%
△ C2508	QFP32JJ-183	PP CAP.	0.018µF 630V J
△ C2509	QFZ0128-154	MPP CAP.	0.15µF 400V±3%
△ C2510	QFZ0197-154	MPP CAP.	0.15µF 250V J
△ C2511	QFZ0128-334	MPP CAP.	0.33µF 400V±3%
C2513	QEZO414-226	E CAP.	22µF 50V M
C2514	QCS32HJ-561	C CAP.	560pF 500V J
C2517	QETN1AM-477Z	E CAP.	470µF 10V M
C2521-22	QCZ0122-681	C CAP.	680pF 2kV K
C2523	QFN32AJ-682Z	M CAP.	6800pF 100V J
C2524	QCS31HJ-470Z	C CAP.	47pF 50V J
C2525	QCB31HK-682Z	C CAP.	6800pF 50V K
C2533	QCS32HJ-561	C CAP.	560pF 500V J
C2534	QFN32DK-222Z	M CAP.	2200pF 200V K
C2536	QFN32DK-472Z	M CAP.	4700pF 200V K
C2562	QETN1HM-475Z	E CAP.	4.7µF 50V M
C2571	QFZ0197-334	MPP CAP.	0.33µF 250V J
△ C2572	QFZ0122-472	MPP CAP.	4700pF1.8KVH±3%
△ C2573	QFZ0196-302	MPP CAP.	3000pF1.5KVH±3%
C2591	QEZO203-107	E CAP.	100µF 160V M
C2701	QFLC2AJ-333Z	M CAP.	0.033µF 100V J
C2801-02	QETN1EM-108Z	E CAP.	100µF 25V M
C2803	QETN2EM-106Z	E CAP.	10µF 250V M
C2811	QETN1VM-107Z	E CAP.	100µF 35V M
△ C2902	QFZ9040-104	MF CAP.	0.1µF AC275V M
△ C2904	QCZ9054-102	C CAP.	1000pFAC250V Z
△ C2905	QCZ9054-102	C CAP.	1000pFAC250V Z
△ C2906	QCZ9054-102	C CAP.	1000pFAC250V Z
△ C2907	QEZO569-827	E CAP.	820µF 200V M
△ C2908	QCZ9054-102	C CAP.	1000pFAC250V Z
C2912	QCZ0340-33Z	C CAP.	3300pF 2kV K
C2913	QFLC1HJ-471Z	M CAP.	470pF 50V J
C2914	QEHR1HM-107Z	E CAP.	100µF 50V M
C2916	QCS31HJ-331Z	C CAP.	330pF 50V J
C2917	QFN31HJ-182Z	M CAP.	1800pF 50V J
C2918	QFV71HJ-104Z	MF CAP.	0.1µF 50V J
C2919	QFP32GJ-103	PP CAP.	0.01µF 400V J
C2920	QCZ0122-151	C CAP.	150pF 2kV K
C2921	QETN1AM-107Z	E CAP.	100µF 10V M
C2923	QETN1EM-476Z	E CAP.	47µF 25V M
C2930	QCS31HJ-181Z	C CAP.	180pF 50V J
C2931	QEZO203-227	E CAP.	220µF 160V M
C2932	QETN1EM-108Z	E CAP.	1000µF 25V M
C2933	QETN1HM-227Z	E CAP.	220µF 50V M
C2934	QEZO257-228	E CAP.	2200µF 25V M
C2935	QEHQ1HM-108	E CAP.	1000µF 50V M
C2937	QCZ0340-15Z	C CAP.	1500pF 2kV K
C2939-40	QCB32HK-222Z	C CAP.	2200pF 500V K
C2942	QETN1HM-105Z	E CAP.	1µF 50V M
C2947	QETN1AM-107Z	E CAP.	100µF 10V M
C2948	QETN1EM-476Z	E CAP.	47µF 25V M
C2971	QETN1CM-107Z	E CAP.	100µF 16V M
C2972	QETN1EM-476Z	E CAP.	47µF 25V M
△ C2973	QETN1HM-106Z	E CAP.	10µF 50V M
△ C2993	QCZ9074-47Z	C CAP.	4700pFAC250V M
△ C2994	QCZ9074-47Z	C CAP.	4700pFAC250V M
△ C2995	QCZ9074-47Z	C CAP.	4700pFAC250V M
△ C2997	QCZ9074-47Z	C CAP.	4700pFAC250V M
△ C2998	QCZ9074-47Z	C CAP.	4700pFAC250V M
△ C2999	QCZ9074-47Z	C CAP.	4700pFAC250V M

Symbol No.	Part No.	Part Name	Description
<b>TRANSFORMER</b>			
T2501	QQR1269-001	DRIVE TRANSF.	
△ T2502	QQH0112-001	FBT	
T2701	QQR1096-001	DEF. TRANSF.	
△ T2921	QQS0112-001	SWITCH.TRANSF.	
<b>COIL</b>			
L2501	QQL2025-180	CHOKE COIL	
L2502	QQR1230-001	CHOKE COIL	
L2504	QQR0915-001	HOR.LINEAR.COIL	
L2531	QQL43AJ-222	COIL	2.2mH J
L2701	QQL43AJ-222	COIL	2.2mH J
L2931	QQL26AK-470Z	COIL	47µH K
L2933	QQL26AK-220Z	COIL	22µH K
L2934	QQL2026-260	HEATER CHOKE	
L2936	QQL26AK-220Z	COIL	22µH K
<b>DIODE</b>			
D2201	1SR35-400A-T2	SI. DIODE	
D2401	MTZJ75-T2	ZENER DIODE	
D2402	1SR35-400A-T2	SI. DIODE	
D2403	1SS133-T2	SI. DIODE	
D2404	MTZJ9.1B-T2	ZENER DIODE	
D2405	1SS133-T2	SI. DIODE	
D2406	MTZJ6.8C-T2	ZENER DIODE	
D2501	RGP10J-5025-T3	SI. DIODE	
D2502	1SS133-T2	SI. DIODE	
D2503-04	RG2A-LFC4	SI. DIODE	
D2505	V11CA-C1	SI. DIODE	
D2506	FMV-3FU-F1	SI. DIODE	
D2521	MTZJ12C-T2	ZENER DIODE	
D2522	1SS81-T5	SI. DIODE	
D2531	RGP10J-5025-T3	SI. DIODE	
D2561	MTZJ7.5S-T2	ZENER DIODE	
D2571	RGP10J-5025-T3	SI. DIODE	
D2572	MTZJ15B-T2	ZENER DIODE	
D2801	RGP10J-5025-T3	SI. DIODE	
D2802	RGP10J-5025-T3	SI. DIODE	
D2803	RU30A-F1	SI. DIODE	
△ D2812	1SR124-400A-T2	SI. DIODE	
△ D2901	RBV-606	SI. DIODE	
D2910	MA700A-T2	SI. DIODE	
△ D2911	RGP10J-5025-T3	SI. DIODE	
D2912	AU01Z-T2	SI. DIODE	
D2913	AU01Z-T2	SI. DIODE	
D2914	1SS133-T2	SI. DIODE	
D2915	SARS01-T2	SI. DIODE	
D2916	1SS133-T2	SI. DIODE	
D2917	MTZJ27B-T2	ZENER DIODE	
D2918	MTZJ5.1B-T2	ZENER DIODE	
D2920	1SS133-T2	SI. DIODE	
D2921	RD33E/B2/-T2	ZENER DIODE	
D2922	MTZJ11A-T2	ZENER DIODE	
D2923	1SS133-T2	SI. DIODE	
D2924	1SS133-T2	SI. DIODE	
D2925	MTZJ6.8C-T2	ZENER DIODE	
D2926	1SS133-T2	SI. DIODE	
D2928	RGP10J-5025-T3	SI. DIODE	
D2931	RU30A-F1	SI. DIODE	
D2932	RU3AM-LFC4	SI. DIODE	
D2934	RU30A-F1	SI. DIODE	
D2935	RU3YX-LFC4	SI. DIODE	
D2936	FMX-G12S	SI. DIODE	
D2941	MTZJ33B-T2	ZENER DIODE	
D2945	1SS133-T2	SI. DIODE	
D2946	1SS133-T2	SI. DIODE	
D2947	1SS133-T2	SI. DIODE	
D2948	MTZJ5.1B-T2	ZENER DIODE	
D2952	MTZJ12C-T2	ZENER DIODE	
D2953	1SS244-T2	SI. DIODE	
D2954	1SS133-T2	SI. DIODE	
D2972	MTZJ15B-T2	ZENER DIODE	
D2973	1SS133-T2	SI. DIODE	

**CRT SOCKET P.W. BOARD ASS'Y (SSB-3026A-M2)**

Symbol No.	Part No.	Part Name	Description
<b>TRANSISTOR</b>			
Q2401-02	25C3311A/QR/-T	SI. TRANSISTOR	
Q2405	25C3311A/QR/-T	SI. TRANSISTOR	
Q2501	25C3311A/QR/-T	SI. TRANSISTOR	
Q2502	25C1627A/Y/-T	SI. TRANSISTOR	
△ Q2503	25C5591-RL	POWER TRANSISTOR	H. OUT
Q2504	25B953/QP/	POWER TRANSISTOR	
Q2521	25C3311A/QR/-T	SI. TRANSISTOR	
Q2531	IRF1620G	F. E. T.	
Q2532	25C1959/Y/-T	SI. TRANSISTOR	
Q2533	25A562TM/Y/-T	SI. TRANSISTOR	
Q2571	25K2771-01R-F1	F. E. T.	
Q2572	25C1959/Y/-T	SI. TRANSISTOR	
Q2921-22	25C3311A/QR/-T	SI. TRANSISTOR	
Q2924	25C3311A/QR/-T	SI. TRANSISTOR	
Q2941	25C3311A/QR/-T	SI. TRANSISTOR	
Q2951	25C1627A/Y/-T	SI. TRANSISTOR	
Q2971	25A1208/ST/Z1-T	SI. TRANSISTOR	
<b>I C</b>			
IC2401	LA7841	I. C. (MONO-ANA)	
IC2911	STR-F6628/F3	I. C. (HYBRID)	
IC2921	SE140N	I. C. (HYBRID)	
<b>OTHERS</b>			
CN2001-03	QGB1506M1-16	CONNECTOR	
CN2010	QGB1505J1-35	RECEPTACLE	
△ CP2934	ICP-N75-Y	I. C. PROTECT	
△ CP2935	ICP-N20-Y	I. C. PROTECT	
△ CP2941	ICP-N75-Y	I. C. PROTECT	
△ CP2944	ICP-N75-Y	I. C. PROTECT	
△ F2905	QMF2034-5R0Z-J1	FUSE	5.0A
△ FR2801	QRK129J-1R0	C R	1.0Ω 1/2W J
△ FR2802	QRK129J-1R0	C R	1.0Ω 1/2W J
△ FR2803	QRK129J-1R5	C R	1.5Ω 1/2W J
△ FR2804	QRT029J-R82	MF R	0.82Ω 2W J
△ FR2811	QRK129J-4R7	C R	4.7Ω 1/2W J
△ TH2901	QADO129-3R0	P. THERMISTOR	
K2401	QQR0621-002Z	BEADS CORE	
K2504-05	QQR0679-001	FERRITE BEADS	
K2912	QQR0582-001Z	BEADS CORE	
K2914	QQR0582-001Z	BEADS CORE	
K2920	QQR0872-002	FERRITE BEADS	
K2930	QQR0621-002Z	BEADS CORE	
K2931	QQR0621-002Z	BEADS CORE	
K2935	QQR0621-002Z	BEADS CORE	
K2938	QQR0621-002Z	BEADS CORE	
△ PC2571	TLP621 (GB)	I. C. (PH. COUPLER)	
△ PC2921	TLP621 (GB)	I. C. (PH. COUPLER)	
△ RY2931	QSK0083-001	RELAY	
△ RY2941	QSK0083-001	RELAY	
△ RY2951	QSK0118-001	RELAY	

Symbol No.	Part No.	Part Name	Description
<b>RESISTOR</b>			
R3010	NRVA63D-682X	MF R	6.8kΩ 1/16W±0.5%
R3011	NRVA63D-472X	MF R	4.7kΩ 1/16W±0.5%
R3012	NRSA63J-563X	MG R	56kΩ 1/16W J
R3028	QRC122K-102	COMP. R	1kΩ 1/2W K
R3029	QRE121J-105Y	C R	1MΩ 1/2W J
R3052-53	NRSA63J-103X	MG R	10kΩ 1/16W J
R3054	NRSA63J-182X	MG R	1.8kΩ 1/16W J
R3101	NRSA63J-821X	MG R	820Ω 1/16W J
R3103	NRSA63J-332X	MG R	3.3kΩ 1/16W J
R3104	QRL039J-473	OM R	47kΩ 3W J
R3106	NRSA63J-0R0X	MG R	0.0Ω 1/16W J
R3107	NRSA63J-103X	MG R	10kΩ 1/16W J
R3108	QRC122K-561	COMP. R	560 Ω 1/2W K
R3201	NRSA63J-821X	MG R	820Ω 1/16W J
R3202	NRSA63J-221X	MG R	220Ω 1/16W J
R3203	NRSA63J-332X	MG R	3.3kΩ 1/16W J
R3204	QRL039J-473	OM R	47kΩ 3W J
R3206	NRSA63J-0R0X	MG R	0.0Ω 1/16W J
R3207	NRSA63J-103X	MG R	10kΩ 1/16W J
R3208	QRC122K-561	COMP. R	560 Ω 1/2W K
R3301	NRSA63J-102X	MG R	1kΩ 1/16W J
R3302	NRSA63J-391X	MG R	390Ω 1/16W J
R3303	NRSA63J-272X	MG R	2.7kΩ 1/16W J
R3304	QRL039J-473	OM R	47kΩ 3W J
R3306	NRSA63J-0R0X	MG R	0.0Ω 1/16W J
R3307	NRSA63J-103X	MG R	10kΩ 1/16W J
R3308	QRC122K-561	COMP. R	560 Ω 1/2W K
R3310	NRSA63J-0R0X	MG R	0.0Ω 1/16W J
R3701	NRSA63J-101X	MG R	100Ω 1/16W J
R3702	NRSA63J-273X	MG R	27kΩ 1/16W J
R3703-04	NRSA63J-332X	MG R	3.3kΩ 1/16W J
R3705	NRSA63J-391X	MG R	390Ω 1/16W J
R3706	NRSA63J-471X	MG R	470Ω 1/16W J
R3707	NRSA63J-392X	MG R	3.9kΩ 1/16W J
△ R3710	QRJ146J-182X	C R	1.8kΩ 1/4W J
R3711-12	NRSA63J-473X	MG R	47kΩ 1/16W J
△ R3713	QRJ146J-182X	C R	1.8kΩ 1/4W J
△ R3714	QRJ146J-470X	C R	47Ω 1/4W J
△ R3715	QRJ146J-470X	C R	47Ω 1/4W J
△ R3716	QRG01GJ-150	OM R	15Ω 1W J
R3719	QRG01GJ-180	OM R	18Ω 1W J
R3720-22	QRL039J-330	OM R	33Ω 3W J
R3724	NRSA63J-101X	MG R	100Ω 1/16W J
<b>CAPACITOR</b>			
C3001-02	QETN2EM-106Z	E CAP.	10μF 250V M
C3004	QETN1CM-107Z	E CAP.	100μF 16V M
C3005	QFLC1HJ-223Z	M CAP.	0.022μF 50V J
△ C3009	QFZ9027-103	MM CAP.	0.01μFAC125V K
C3011	QETN2EM-106Z	E CAP.	10μF 250V M
C3101	QETN1HM-106Z	E CAP.	10μF 50V M
C3102	NCB31HK-103X	C CAP.	0.01μF 50V K
C3103	QETN1EM-476Z	E CAP.	47μF 25V M
C3104	NCB31HK-103X	C CAP.	0.01μF 50V K
C3106	QFK62EK-104Z	MM CAP.	0.1μF 250V K
C3107	NDC31HJ-561X	C CAP.	560pF 50V J
C3201	QETN1HM-106Z	E CAP.	10μF 50V M
C3202	NCB31HK-103X	C CAP.	0.01μF 50V K
C3203	QETN1EM-476Z	E CAP.	47μF 25V M
C3204	NCB31HK-103X	C CAP.	0.01μF 50V K
C3205	NDC31HJ-330X	C CAP.	33pF 50V J
C3206	QFK62EK-104Z	MM CAP.	0.1μF 250V K
C3207	NDC31HJ-561X	C CAP.	560pF 50V J
C3210	QETN1EM-476Z	E CAP.	47μF 25V M
C3301	QETN1HM-106Z	E CAP.	10μF 50V M
C3302	NCB31HK-103X	C CAP.	0.01μF 50V K
C3303	QETN1EM-476Z	E CAP.	47μF 25V M
C3304	NCB31HK-103X	C CAP.	0.01μF 50V K

△ Symbol No.	Part No.	Part Name	Description
<b>CAPACITOR</b>			
C3305	NDC31HJ-270X	C CAP.	27pF 50V J
C3306	QFK62EK-104Z	MM CAP.	0.1μF 250V K
C3307	NDC31HJ-561X	C CAP.	560pF 50V J
C3308	NDC31HJ-100X	C CAP.	10pF 50V J
C3701	NCB31HK-102X	C CAP.	1000pF 50V K
C3702	QETN1HM-106Z	E CAP.	10μF 50V M
C3703	NCF21HZ-104X	C CAP.	0.1μF 50V Z
C3704	NCB31HK-472X	C CAP.	4700pF 50V K
C3707-08	QFN32DK-103	M CAP.	0.01μF 200V K
C3709	QETN2CM-106Z	E CAP.	10μF 160V M
C3710-11	QETN2CM-226Z	E CAP.	22μF 160V M
C3712-13	QFN31HJ-222Z	M CAP.	2200pF 50V J
C3716	QCS32HJ-330Z	C CAP.	33pF 500V J
C3717-18	QFN32DK-103	M CAP.	0.01μF 200V K
C3719	QCB32HK-103	C CAP.	0.01μF 500V K
C3720	QCB32HK-102Z	C CAP.	1000pF 500V K
<b>COIL</b>			
L3001-04	QQL26AJ-102Z	COIL	1mH J
L3101	QQL244K-5R6Z	COIL	5.6μH K
L3201	QQL244K-5R6Z	COIL	5.6μH K
L3301	QQL244K-5R6Z	COIL	5.6μH K
<b>DIODE</b>			
D3009	RM2C-LFA1	SI DIODE	
D3101	EU01N-T2	SI DIODE	
D3102	1SR124-400A-T2	SI DIODE	
D3201	EU01N-T2	SI DIODE	
D3202	1SR124-400A-T2	SI DIODE	
D3301	EU01N-T2	SI DIODE	
D3302	1SR124-400A-T2	SI DIODE	
D3701	1S5355-X	SI DIODE	
D3702	RH1S-T3	SI DIODE	
D3703	RH1S-T3	SI DIODE	
<b>TRANSISTOR</b>			
Q3051-52	2SC2412K/QR/-X	SI TRANSISTOR	
Q3701	2SC1906-T	SI TRANSISTOR	
Q3702	2SA1005/MLK/-T	SI TRANSISTOR	
Q3703	2SC1959/Y/-T	SI TRANSISTOR	
Q3704	2SA562TM/Y/-T	SI TRANSISTOR	
Q3705	2SJ403	F. E. T.	
Q3706	IRF1620G	F. E. T.	
<b>IC</b>			
IC3101	TDA6111Q	I. C. (MONO-ANA)	
IC3201	TDA6111Q	I. C. (MONO-ANA)	
IC3301	TDA6111Q	I. C. (MONO-ANA)	
<b>OTHERS</b>			
K3701	CE41492-001Z	CHOKE COIL	
K3702	CE42050-001Z	CORE	
<b>OTHERS</b>			
SG3101	CE42447-501	ARRESTOR	
SG3201	CE42447-501	ARRESTOR	
SG3301	CE42447-501	ARRESTOR	
△ SK3001	QNZ0380-001	C. R. T. SOCKET	

**LINE FILTER P.W. BOARD ASS'Y (SSB-9026A-M2)**

△ Symbol No.	Part No.	Part Name	Description
<b>RESISTOR</b>			
△ R9901	QRZ9041-275	C R	2.7MΩ 1/2W K
<b>CAPACITOR</b>			
△ C9901	QFZ9040-104	MF CAP.	0.1μF AC275V M
△ C9902	QFZ9040-104	MF CAP.	0.1μF AC275V M
△ C9903	QFZ9040-104	MF CAP.	0.1μF AC275V M
C9911	QETN1CM-108Z	E CAP.	1000μF 16V M
C9921	QETN1HM-108	E CAP.	1000μF 50V M
<b>TRANSFORMER</b>			
△ T9911	QQT0361-001	POWER TRANSF.	
<b>DIODE</b>			
D9911-14	1SR35-400A-T2	SI DIODE	
D9921	1SR35-400A-T2	SI DIODE	
<b>OTHERS</b>			
△ QMPD390-200-JS		POWER CORD	
△ F9901	QMF60S1-7R0S	FUSE	7.0A
△ LF9901	QQR0676-006	LINE FILTER	
△ LF9902	QQR0676-006	LINE FILTER	
△ LF9903	QQR1159-001	LINE FILTER	
△ VA9901	ERZV10V621CS	VARISTOR	

**DEF OSC P.W. BOARD ASS'Y (SSB0H026A-M2)**

△ Symbol No.	Part No.	Part Name	Description
<b>RESISTOR</b>			
R0101	NRSA63J-102X	MG R	1kΩ 1/16W J
R0103	NRSA63J-681X	MG R	680Ω 1/16W J
R0104	NRSA63J-103X	MG R	10kΩ 1/16W J
R0105	NRSA63J-473X	MG R	47kΩ 1/16W J
R0106	NRSA63J-123X	MG R	12kΩ 1/16W J
R0107	NRSA63J-103X	MG R	10kΩ 1/16W J
R0109	NRSA63J-682X	MG R	6.8kΩ 1/16W J
R0110	NRSA63J-223X	MG R	22kΩ 1/16W J
R0111	NRVA63D-153X	MF R	15kΩ 1/16W±0.5%
R0112	NRVA63D-182X	MF R	1.8kΩ 1/16W±0.5%
R0113	NRVA63D-123X	MF R	12kΩ 1/16W±0.5%
R0114	NRSA63J-222X	MG R	2.2kΩ 1/16W J
R0116	NRVA63D-182X	MF R	1.8kΩ 1/16W±0.5%
R0117	NRSA63J-332X	MG R	3.3kΩ 1/16W J
R0120	NRSA63J-183X	MG R	18kΩ 1/16W J
R0121	NRSA63J-152X	MG R	1.5kΩ 1/16W J
R0122	QRG01GJ-470	QM R	47Ω 1W J
△ R0123	QRK126J-101X	C R	100Ω 1/2W J
R0126	NRSA63J-103X	MG R	10kΩ 1/16W J
R0129	NRVA63D-183X	MF R	18kΩ 1/16W±0.5%
R0131	NRSA63J-102X	MG R	1kΩ 1/16W J
R0133	NRSA63J-151X	MG R	150Ω 1/16W J
R0134	NRSA63J-334X	MG R	330kΩ 1/16W J
R0138	NRSA63J-103X	MG R	10kΩ 1/16W J
R0139	NRSA63J-223X	MG R	22kΩ 1/16W J
R0140	NRSA63J-103X	MG R	10kΩ 1/16W J
R0141	NRSA63J-472X	MG R	4.7kΩ 1/16W J
R0142	NRSA63J-103X	MG R	10kΩ 1/16W J
R0143	NRSA63J-471X	MG R	470Ω 1/16W J
R0161-62	NRSA63J-221X	MG R	220Ω 1/16W J
R0163-64	NRSA63J-101X	MG R	100Ω 1/16W J
R0165	NRSA63J-103X	MG R	10kΩ 1/16W J
R0166	NRSA63J-332X	MG R	3.3kΩ 1/16W J
R0167	NRSA63J-472X	MG R	4.7kΩ 1/16W J
R0168	NRSA63J-102X	MG R	1kΩ 1/16W J
R0169	NRSA63J-682X	MG R	6.8kΩ 1/16W J
R0170	NRSA63J-472X	MG R	4.7kΩ 1/16W J
R0171	NRSA63J-223X	MG R	22kΩ 1/16W J
R0172	NRSA63J-332X	MG R	3.3kΩ 1/16W J
R0173	NRSA63J-391X	MG R	390Ω 1/16W J
R0174	NRSA63J-103X	MG R	10kΩ 1/16W J
R0175	NRSA63J-272X	MG R	2.7kΩ 1/16W J
R0176	NRSA63J-102X	MG R	1kΩ 1/16W J
R0177	NRSA63J-123X	MG R	12kΩ 1/16W J
R0178	NRSA63J-821X	MG R	820Ω 1/16W J
R0179	NRVA63D-562X	MF R	5.6kΩ 1/16W±0.5%
R0180	NRVA63D-152X	MF R	1.5kΩ 1/16W±0.5%
R0183	NRSA63J-102X	MG R	1kΩ 1/16W J
R0184	NRVA63D-273X	MF R	27kΩ 1/16W±0.5%
R0185	NRVA63D-473X	MF R	47kΩ 1/16W±0.5%
R0186	NRSA63J-103X	MG R	10kΩ 1/16W J
R0187	NRSA63J-472X	MG R	4.7kΩ 1/16W J
R0188	NRVA63D-101X	MF R	100Ω 1/16W±0.5%
R0189	NRSA63J-0R0X	MG R	0.0Ω 1/16W J
R0216-17	NRSA63J-221X	MG R	220Ω 1/16W J
R0219	NRSA63J-103X	MG R	10kΩ 1/16W J
R0220	NRSA63J-101X	MG R	100Ω 1/16W J
R0221-22	NRSA63J-332X	MG R	3.3kΩ 1/16W J
R0223-24	NRSA63J-101X	MG R	100Ω 1/16W J
R0225	NRSA63J-473X	MG R	47kΩ 1/16W J
R0226	NRSA63J-101X	MG R	100Ω 1/16W J
R0227	NRSA63J-102X	MG R	1kΩ 1/16W J
R0228-29	NRSA63J-473X	MG R	47kΩ 1/16W J
R0230	NRSA63J-223X	MG R	22kΩ 1/16W J
R0321	NRSA63J-0R0X	MG R	0.0Ω 1/16W J
R0326-27	NRSA63J-224X	MG R	220kΩ 1/16W J
R0328	NRSA63J-563X	MG R	56kΩ 1/16W J
R0329	NRSA63J-224X	MG R	220kΩ 1/16W J
R0330	NRSA63J-683X	MG R	68kΩ 1/16W J
R0751	NRSA63J-273X	MG R	27kΩ 1/16W J

△ Symbol No.	Part No.	Part Name	Description
<b>RESISTOR</b>			
R0752	NRSA63J-103X	MG R	10kΩ 1/16W J
R0753	NRSA63J-332X	MG R	3.3kΩ 1/16W J
R0754	NRSA63J-103X	MG R	10kΩ 1/16W J
R0755	NRSA63J-333X	MG R	33kΩ 1/16W J
R0756-57	NRSA63J-392X	MG R	3.9kΩ 1/16W J
R0761-65	QRE121J-184Y	C R	180kΩ 1/2W J

△ Symbol No.	Part No.	Part Name	Description
<b>CAPACITOR</b>			
C0102-03	NCB31HK-103X	C CAP.	0.01μF 50V K
C0104	NDC31HJ-561X	C CAP.	560pF 50V J
C0106	NDC31HJ-102X	C CAP.	1000pF 50V J
C0107	NDC21HJ-122X	C CAP.	1200pF 50V J
C0108	QETN1HM-475Z	E CAP.	4.7μF 50V M
C0109	NCB31HK-103X	C CAP.	0.01μF 50V K
C0110	NCB31HK-102X	C CAP.	1000pF 50V K
C0111-12	QETN1HM-225Z	E CAP.	2.2μF 50V M
C0113	NDC21HJ-122X	C CAP.	1200pF 50V J
C0114-15	NDC31HJ-102X	C CAP.	1000pF 50V J
C0116	NCB31HK-103X	C CAP.	0.01μF 50V K
C0117	QTMN1CM-477Z	E CAP.	470μF 16V M
C0118	NCB31HK-103X	C CAP.	0.01μF 50V K
C0119-20	QETN1EM-476Z	E CAP.	47μF 25V M
C0121	QETN1CM-107Z	E CAP.	100μF 16V M
C0122-24	NCB31HK-103X	C CAP.	0.01μF 50V K
C0131	NDC31HJ-101X	C CAP.	100pF 50V J
C0132	QETN1HM-105Z	E CAP.	1μF 50V M
C0133	NCB31CK-104X	CHIP CAP.	0.1μF 16V K
C0134	NCB31HK-153X	C CAP.	0.015μF 50V K
C0135-37	NDC31HJ-102X	C CAP.	1000pF 50V J
C0138	NDC31HJ-151X	C CAP.	150pF 50V J
C0161	QETN1CM-108Z	E CAP.	1000μF 16V M
C0162	NCB31HK-103X	C CAP.	0.01μF 50V K
C0163	QETN1AM-477Z	E CAP.	470μF 10V M
C0164	NCB31HK-103X	C CAP.	0.01μF 50V K
C0165	NCB31CK-104X	CHIP CAP.	0.1μF 16V K
C0166	QETN1HM-106Z	E CAP.	10μF 50V M
C0167	NCB31HK-332X	CHIP CAP.	3300pF 50V K
C0168	NCB31HK-103X	C CAP.	0.01μF 50V K
C0169	NCB31CK-104X	CHIP CAP.	0.1μF 16V K
C0170	NCB31HK-103X	C CAP.	0.01μF 50V K
C0171	QFV71HJ-184Z	MF CAP.	0.18μF 50V J
C0172	QFV71HJ-394Z	MF CAP.	0.39μF 50V J
C0173	NCB31HK-153X	C CAP.	0.015μF 50V K
C0174	NDC31HJ-101X	C CAP.	100pF 50V J
C0175	NCB31HK-152X	CHIP CAP.	1500pF 50V K
C0176	QFV71HJ-104Z	MF CAP.	0.1μF 50V J
C0178-82	NCB31CK-104X	CHIP CAP.	0.1μF 16V K
C0212	QETN1HM-106Z	E CAP.	10μF 50V M
C0221	QETN1HM-105Z	E CAP.	1μF 50V M
C0321	NCB31HK-102X	C CAP.	1000pF 50V K
C0751	QFLC1HJ-563Z	M CAP.	0.056μF 50V J
C0752	QETN1EM-476Z	E CAP.	47μF 25V M
C0753	QFZ0117-100Z	MPP CAP.	0.01μF1.4kVH±2.5%
C0761	QFZ0122-68Z	MPP CAP.	6800pF1.8kVH±3%

△ Symbol No.	Part No.	Part Name	Description
<b>COIL</b>			
L0101	QQL01BK-470Z	COIL	47μH K
L0103-04	NQL092K-100X	INDUCTOR	
L0105	QQL01BK-101Z	COTL	100μH K

△ Symbol No.	Part No.	Part Name	Description
<b>DIODE</b>			
D0164-65	1SS355-X	SI.DIODE	
D0221	1SS355-X	SI.DIODE	
D0321	1SS355-X	SI.DIODE	
D0751-52	ES1F-LFG2	SI.DIODE	

Symbol No.	Part No.	Part Name	Description
<b>TRANSISTOR</b>			
Q0101-02	2SD601A/QR/-X	SI. TRANSISTOR	
Q0131-32	2SD601A/QR/-X	SI. TRANSISTOR	
Q0161-62	2SD601A/QR/-X	SI. TRANSISTOR	
Q0164	2SB709A/QR/-X	SI. TRANSISTOR	
Q0165-67	2SD601A/QR/-X	SI. TRANSISTOR	
Q0211	2SD601A/QR/-X	SI. TRANSISTOR	
Q0751-52	2SD601A/QR/-X	SI. TRANSISTOR	
Q0753	2SC4632	SI. TRANSISTOR	

<b>IC</b>			
IC0101	LA7860M-X	I.C. (MONO-ANA)	
IC0102	BA12FP-X	I.C. (MONO-ANA)	
IC0161	AN5441SA-W	I.C. (MONO-ANA)	
IC0162	BA10393F-XE	I.C. (MONO-ANA)	
IC0163	TA78L005AP-T	I.C. (H)	
IC0212	CXA1875AM-X	I.C. (MONO-ANA)	

**JACK P.W. BOARD ASS'Y (SSB0J026A-M2)**

Symbol No.	Part No.	Part Name	Description
<b>RESISTOR</b>			
R0101	NRSA63J-333X	MG R	33kΩ 1/16W J
R0102-04	NRSA63J-750X	MG R	75Ω 1/16W J
R0105-06	NRSA63J-224X	MG R	220kΩ 1/16W J
R0107-08	NRSA63J-0R0X	MG R	0.0Ω 1/16W J
R0125	NRSA63J-750X	MG R	75Ω 1/16W J
R0126-27	NRSA63J-224X	MG R	220kΩ 1/16W J
R0131-33	NRSA63J-0R0X	MG R	0.0Ω 1/16W J
R0141	NRSA63J-333X	MG R	33kΩ 1/16W J
R0142-44	NRSA63J-750X	MG R	75Ω 1/16W J
R0145-46	NRSA63J-224X	MG R	220kΩ 1/16W J
R0147-48	NRSA63J-0R0X	MG R	0.0Ω 1/16W J
R0201-07	NRSA63J-0R0X	MG R	0.0Ω 1/16W J
R0209	NRSA63J-0R0X	MG R	0.0Ω 1/16W J
R0211	NRSA63J-151X	MG R	150Ω 1/16W J
R0213	NRSA63J-151X	MG R	150Ω 1/16W J
R0215-19	NRSA63J-0R0X	MG R	0.0Ω 1/16W J
R0220	NRSA63J-151X	MG R	150Ω 1/16W J
R0322	NRSA63J-750X	MG R	75Ω 1/16W J
R0325	NRSA63J-750X	MG R	75Ω 1/16W J
R0328	NRSA63J-750X	MG R	75Ω 1/16W J
R0342	NRSA63J-750X	MG R	75Ω 1/16W J
R0345	NRSA63J-750X	MG R	75Ω 1/16W J
R0348	NRSA63J-750X	MG R	75Ω 1/16W J
R0401-05	NRSA63J-0R0X	MG R	0.0Ω 1/16W J
R0409-12	NRSA63J-0R0X	MG R	0.0Ω 1/16W J
R0436	NRSA63J-0R0X	MG R	0.0Ω 1/16W J
R0438-41	NRSA63J-0R0X	MG R	0.0Ω 1/16W J
R0471	NRSA02J-221X	MG R	220Ω 1/10W J
R0473	NRSA02J-121X	MG R	120Ω 1/10W J
R0475	NRSA02J-221X	MG R	220Ω 1/10W J
R0477	NRSA02J-121X	MG R	120Ω 1/10W J
R0481-82	NRSA02J-101X	MG R	100Ω 1/10W J
R0601	NRSA02J-0R0X	MG R	0.0Ω 1/10W J
R0602	NRSA02J-103X	MG R	10kΩ 1/10W J
R0603	NRSA02J-473X	MG R	47kΩ 1/10W J
R0604	NRSA02J-393X	MG R	39kΩ 1/10W J
R0605	NRSA02J-104X	MG R	100kΩ 1/10W J
R0607	NRSA02J-333X	MG R	33kΩ 1/10W J
R0608	NRSA02J-103X	MG R	10kΩ 1/10W J
R0609	NRSA02J-0R0X	MG R	0.0Ω 1/10W J

Symbol No.	Part No.	Part Name	Description
<b>CAPACITOR</b>			
C0101	NCB11CK-105X	C CAP.	1μF 16V K
C0102	NCB31HK-103X	C CAP.	0.01μF 50V K
C0103-04	QETN1HM-106Z	E CAP.	10μF 50V M
C0105-06	QETN1HM-105Z	E CAP.	1μF 50V M
C0126	QETN1HM-106Z	E CAP.	10μF 50V M
C0127-28	QETN1HM-105Z	E CAP.	1μF 50V M
C0141	NCB11CK-105X	C CAP.	1μF 16V K
C0142	NCB31HK-103X	C CAP.	0.01μF 50V K

C0143-44	QETN1HM-106Z	E CAP.	10μF 50V M
C0145-46	QETN1HM-105Z	E CAP.	1μF 50V M
C0321-23	QETN1EH-476Z	E CAP.	47μF 25V M
C0341-43	QETN1HM-105Z	E CAP.	1μF 50V M
C0421	NCF11EZ-105X	C CAP.	1μF 25V Z
C0431	NDC21HJ-221X	C CAP.	220pF 50V J
C0432-33	QENC1HM-106Z	BP E CAP.	10μF 50V M
C0434	NDC21HJ-221X	C CAP.	220pF 50V J

C0435-36	QENC1HM-106Z	BP E CAP.	10μF 50V M
C0601	NDC21HJ-680X	C CAP.	68pF 50V J
C0602	QENC1HM-105Z	BP E CAP.	1μF 50V M
C0603-04	QETN1EH-476Z	E CAP.	47μF 25V M
C0605	QETN1HM-474Z	E CAP.	0.47μF 50V M
C0606	NCB21HK-222X	C CAP.	2200pF 50V K
C0607	NCB21HK-472X	C CAP.	4700pF 50V K

C0608	NCB21HK-473X	C CAP.	0.047μF 50V K
C0610	QETN1HM-474Z	E CAP.	0.47μF 50V M
C0612	QETN1HM-475Z	E CAP.	4.7μF 50V M
C0613	NDC21HJ-681X	C CAP.	680pF 50V J
C0614	NCB21HK-153X	C CAP.	0.015μF 50V K
C0615	NDC21HJ-102X	C CAP.	1000pF 50V J
C0616	NDC21HJ-821X	C CAP.	820pF 50V J
C0617	NDC21HJ-680X	C CAP.	68pF 50V J

C0618	NDC21HJ-121X	C CAP.	120pF 50V J
C0619-20	NCF11EZ-105X	C CAP.	1μF 25V Z
C0621	NDC21HJ-100X	C CAP.	10pF 50V J
C0622	NDC21HJ-331X	C CAP.	330pF 50V J

<b>COIL</b>			
L0431	QQL25CK-100Z	COIL	10μH K

<b>DIODE</b>			
D0101	UDZ510B-X	ZENER DIODE	
D0141	UDZ510B-X	ZENER DIODE	
D0201-04	UDZ510B-X	ZENER DIODE	
D0207	UDZ510B-X	ZENER DIODE	
D0209-13	UDZ510B-X	ZENER DIODE	
D0215-20	UDZ510B-X	ZENER DIODE	
D0401-06	UDZ59.1B-X	ZENER DIODE	
D0471	MA153A-X	SI. DIODE	
D0473	MA153A-X	SI. DIODE	

<b>IC</b>			
IC0601	M52001SP	I.C. (MONO-ANA)	

<b>OTHERS</b>			
CN0007	QGB1505K1-25	CONNECTOR	
J0101	QNZ0484-006	AV JACK	
J0141	QNZ0484-004	AV JACK	
J0321	QNN0463-001	COMPO JACK	
J0341	QNN0463-001	COMPO JACK	
LC0321-23	NQR0169-001X	EMI FILTER	
LC0341-43	NQR0169-001X	EMI FILTER	



**FRONT CONTROL P.W. BOARD ASS'Y  
(SSB0L026A-M2)**

Symbol No.	Part No.	Part Name	Description
<b>RESISTOR</b>			
R0401	NRSA63J-750X	MG R	75Ω 1/16W J
R0402-03	NRSA63J-224X	MG R	220kΩ 1/16W J
R0404-05	NRSA63J-750X	MG R	75Ω 1/16W J
R0411-12	NRSA63J-0R0X	MG R	0.0Ω 1/16W J
R0415-20	NRSA63J-0R0X	MG R	0.0Ω 1/16W J
R0732	NRSA63J-333X	MG R	33kΩ 1/16W J
R0748	NRSA63J-562X	MG R	5.6kΩ 1/16W J
R0749	NRSA63J-153X	MG R	15kΩ 1/16W J
R0750	NRSA63J-562X	MG R	5.6kΩ 1/16W J
R0751	NRSA63J-153X	MG R	15kΩ 1/16W J
R0901	QRE121J-680Y	C R	68Ω 1/2W J
R0902	NRSA63J-101X	MG R	100Ω 1/16W J
R0903	NRSA63J-102X	MG R	1kΩ 1/16W J
R0904	NRSA63J-103X	MG R	10kΩ 1/16W J
R0905	QRE121J-680Y	C R	68Ω 1/2W J
R0906	NRSA63J-101X	MG R	100Ω 1/16W J
R0907	NRSA63J-102X	MG R	1kΩ 1/16W J
R0908	NRSA63J-103X	MG R	10kΩ 1/16W J
R0921	NRSA63J-562X	MG R	5.6kΩ 1/16W J
R0922	NRSA63J-680X	MG R	68Ω 1/16W J
R0923	NRSA63J-562X	MG R	5.6kΩ 1/16W J
R0924	NRSA63J-680X	MG R	68Ω 1/16W J
R0926	NRSA63J-471X	MG R	470Ω 1/16W J
R0927	NRSA63J-682X	MG R	6.8kΩ 1/16W J
R0928	NRSA63J-223X	MG R	22kΩ 1/16W J
R0929	NRSA63J-682X	MG R	6.8kΩ 1/16W J
R0930	NRSA63J-223X	MG R	22kΩ 1/16W J
R0931	NRSA63J-471X	MG R	470Ω 1/16W J
R0935-36	QRE121J-120Y	C R	12Ω 1/2W J

**CAPACITOR**

C0442-43	QETN1HM-105Z	E CAP.	1μF 50V M
C0444-45	QETN1HM-106Z	E CAP.	10μF 50V M
C0446	QFLC1HJ-103Z	M CAP.	0.01μF 50V J
C0901-02	NCB31CK-104X	CHIP CAP.	0.1μF 16V K
C0921-22	NCB31CK-104X	CHIP CAP.	0.1μF 16V K

**DIODE**

D0402-06	UDZS10B-X	ZENER DIODE	
D0735	UDZS10B-X	ZENER DIODE	

**TRANSISTOR**

Q0901	2SC2412K/QR/-X	SI. TRANSISTOR	
Q0902	2SC1815/YG/-T	SI. TRANSISTOR	
Q0903	2SC2412K/QR/-X	SI. TRANSISTOR	
Q0904	2SC1815/YG/-T	SI. TRANSISTOR	
Q0921	2SA562TM/Y/-T	SI. TRANSISTOR	
Q0922	2SC1959/Y/-T	SI. TRANSISTOR	
Q0923	2SA562TM/Y/-T	SI. TRANSISTOR	
Q0924	2SC1959/Y/-T	SI. TRANSISTOR	

**OTHERS**

LC0402	CE42543-001	EMI FILTER	
J0401	QNZ0453-001	JACK	
S0702	QSW0619-003Z	PUSH SWITCH	MENU
S0703	QSW0619-003Z	PUSH SWITCH	CH-
S0704	QSW0619-003Z	PUSH SWITCH	CH+
S0705	QSW0619-003Z	PUSH SWITCH	VOL-
S0706	QSW0619-003Z	PUSH SWITCH	VOL+

**POWER SW P.W. BOARD ASS'Y (SSB0L126A-M2)**

Symbol No.	Part No.	Part Name	Description
<b>RESISTOR</b>			
R0702-03	NRSA63J-0R0X	MG R	0.0Ω 1/16W J
R0705	NRSA63J-102X	MG R	1kΩ 1/16W J
R0706	NRSA63J-222X	MG R	2.2kΩ 1/16W J
R0707	NRSA63J-103X	MG R	10kΩ 1/16W J
R0708	NRSA63J-333X	MG R	33kΩ 1/16W J

**CAPACITOR**

C0711	QETN1CM-336Z	E CAP.	33μF 16V M
C0712-13	NCB31CK-104X	CHIP CAP.	0.1μF 16V K
C0715	QETN1CM-476Z	E CAP.	47μF 16V M

**DIODE**

D0701	SEL2E10C-T10	LED	
-------	--------------	-----	--

**TRANSISTOR**

Q0701	2SC2412K/QR/-X	SI. TRANSISTOR	
-------	----------------	----------------	--

**IC**

IC0702	MM1437AF-X	I.C. (MONO-ANA)	
IC0703	GP1U28QL	IFR DETECT UNIT	

**OTHERS**

S0701	LC30190-001B-A QSW0847-001	L.E.D. HOLDER TACT SWITCH	
-------	-------------------------------	------------------------------	--

**SUB TUNER P.W. BOARD ASS'Y (SSB0R226A-M2)**

Symbol No.	Part No.	Part Name	Description
<b>RESISTOR</b>			
R0101-02	NRSA63J-103X	MG R	10kΩ 1/16W J
R0103	NRSA63J-333X	MG R	33kΩ 1/16W J
R0104	NRSA63J-103X	MG R	10kΩ 1/16W J
R0105-07	NRSA63J-0R0X	MG R	0.0Ω 1/16W J
R0108	NRSA63J-473X	MG R	47kΩ 1/16W J
R0109-10	NRSA63J-0R0X	MG R	0.0Ω 1/16W J
R0113	NRSA63J-0R0X	MG R	0.0Ω 1/16W J
R0201	NRSA63J-102X	MG R	1kΩ 1/16W J
R0202	NRSA63J-682X	MG R	6.8kΩ 1/16W J
R0203	NRSA63J-153X	MG R	15kΩ 1/16W J
R0204	NRSA63J-332X	MG R	3.3kΩ 1/16W J
R0205	NRVA02D-153X	MF R	15kΩ 1/10W D
R0206	NRSA63J-333X	MG R	33kΩ 1/16W J
R0207	NRSA63J-683X	MG R	68kΩ 1/16W J
R0208	NRVA02D-152X	MF R	1.5kΩ 1/10W D
R0209-10	NRSA63J-101X	MG R	100Ω 1/16W J
R0211	NRSA63J-563X	MG R	56kΩ 1/16W J
R0212	NRSA63J-562X	MG R	5.6kΩ 1/16W J
R0213-14	NRSA63J-221X	MG R	220Ω 1/16W J
R0215-16	NRSA63J-272X	MG R	2.7kΩ 1/16W J
R0219	NRSA02J-470X	MG R	47Ω 1/10W J
R0220-21	NRSA63J-273X	MG R	27kΩ 1/16W J
R0501-02	NRSA63J-472X	MG R	4.7kΩ 1/16W J
R0503-04	NRSA63J-153X	MG R	15kΩ 1/16W J
R0505	NRSA63J-123X	MG R	12kΩ 1/16W J
R0506	NRSA63J-103X	MG R	10kΩ 1/16W J
R0507	NRSA63J-123X	MG R	12kΩ 1/16W J
R0508	NRSA63J-103X	MG R	10kΩ 1/16W J
R0531-32	NRSA63J-221X	MG R	220Ω 1/16W J
R0533	NRSA63J-823X	MG R	82kΩ 1/16W J

Symbol No.	Part No.	Part Name	Description
<b>RESISTOR</b>			
R0534-35	NRSA63J-221X	MG R	220Ω 1/16W J
R0536	NRSA63J-823X	MG R	82kΩ 1/16W J
R0537-41	NRSA63J-223X	MG R	22kΩ 1/16W J
R0542	NRSA63J-682X	MG R	6.8kΩ 1/16W J
R0543	NRSA63J-153X	MG R	15kΩ 1/16W J
R0551-52	NRSA63J-224X	MG R	220kΩ 1/16W J
R0631	NRSA63J-102X	MG R	1kΩ 1/16W J
R0632-33	NRSA63J-223X	MG R	22kΩ 1/16W J
R0634	NRSA63J-102X	MG R	1kΩ 1/16W J
R0635-36	NRSA63J-223X	MG R	22kΩ 1/16W J
R0637-38	NRSA63J-0R0X	MG R	0.0Ω 1/16W J
R0641	NRSA63J-103X	MG R	10kΩ 1/16W J
R0651	NRSA63J-101X	MG R	100Ω 1/16W J
R0653	NRSA63J-101X	MG R	100Ω 1/16W J
R0654	NRSA63J-103X	MG R	10kΩ 1/16W J
R0655-57	NRSA63J-101X	MG R	100Ω 1/16W J
R0701	NRSA63J-102X	MG R	1kΩ 1/16W J
<b>CAPACITOR</b>			
C0102	QETN1CM-477Z	E CAP.	470μF 16V M
C0103-04	QETN1HM-106Z	E CAP.	10μF 50V M
C0201	QETN1HM-105Z	E CAP.	1μF 50V M
C0202	NCF31CZ-104X	C CAP.	0.1μF 16V Z
C0203	QETN1CM-107Z	E CAP.	100μF 16V M
C0204	QETN1EM-476Z	E CAP.	47μF 25V M
C0207	QENC1HM-105Z	BP E CAP.	1μF 50V M
C0208	NCB31HK-104X	CHIP CAP.	0.1μF 50V K
C0209	QENC1HM-475Z	BP E CAP.	4.7μF 50V M
C0210	NCB31HK-473X	CHIP CAP.	0.047μF 50V K
C0211	QETN1HM-474Z	E CAP.	0.47μF 50V M
C0212	QETN1HM-225Z	E CAP.	2.2μF 50V M
C0213-14	NCB31HK-104X	CHIP CAP.	0.1μF 50V K
C0215	QBTC1CK-335Z	TAN. CAP.	3.3μF 16V K
C0216	QETN1HM-105Z	E CAP.	1μF 50V M
C0217	QBTC1CK-106Z	TAN. CAP.	10μF 16V K
C0218-19	QETN1HM-105Z	E CAP.	1μF 50V M
C0220	QETN1HM-475Z	E CAP.	4.7μF 50V M
C0221	QETN1HM-105Z	E CAP.	1μF 50V M
C0222	NCF31AZ-105X	C CAP.	1μF 10V Z
C0501	QETN1EM-476Z	E CAP.	47μF 25V M
C0502-03	QENC1HM-105Z	BP E CAP.	1μF 50V M
C0504	QETN1EM-476Z	E CAP.	47μF 25V M
C0531-32	QETN1HM-474Z	E CAP.	0.47μF 50V M
C0533	QETN1CM-107Z	E CAP.	100μF 16V M
C0551-52	QETN1HM-105Z	E CAP.	1μF 50V M
C0601-02	QENC1HM-105Z	BP E CAP.	1μF 50V M
C0605-06	QETN1HM-225Z	E CAP.	2.2μF 50V M
C0607	NCB31HK-104X	CHIP CAP.	0.1μF 50V K
C0608	NCB31HK-222X	CHIP CAP.	2200pF 50V K
C0609	NCB31HK-104X	CHIP CAP.	0.1μF 50V K
C0610	NCB31HK-222X	CHIP CAP.	2200pF 50V K
C0611	NCB21HK-273X	C CAP.	0.027μF 50V K
C0631-32	QENC1HM-106Z	BP E CAP.	10μF 50V M
C0633	QETN1HM-226Z	E CAP.	22μF 50V M
C0634	QFN31HJ-332Z	M CAP.	3300pF 50V J
C0635	QFLC1HJ-333Z	M CAP.	0.033μF 50V J
C0636	QFN31HJ-332Z	M CAP.	3300pF 50V J
C0637	QFLC1HJ-333Z	M CAP.	0.033μF 50V J
C0638	QETN1EM-476Z	E CAP.	47μF 25V M
C0639	NCF31CZ-104X	C CAP.	0.1μF 16V Z
C0640	QETN1HM-106Z	E CAP.	10μF 50V M
C0651	NCF31CZ-104X	C CAP.	0.1μF 16V Z
C0652	QETN1EM-476Z	E CAP.	47μF 25V M
<b>COIL</b>			
L0101	QRN143J-OR0X	C R	0.0Ω 1/4W J
L0102	QRN143J-OR0X	C R	0.0Ω 1/4W J

Symbol No.	Part No.	Part Name	Description
<b>DIODE</b>			
D0213-14	UD258.2B-X	ZENER DIODE	
D0222	MA3033-X	ZENER DIODE	
D0531-32	UD2510B-X	ZENER DIODE	
D0533-34	MA111-X	SI. DIODE	
D0551-52	UD259.1B-X	ZENER DIODE	
D0701	UD258.2B-X	ZENER DIODE	
<b>TRANSISTOR</b>			
Q0101	2SC2412K/QR/-X	SI. TRANSISTOR	
Q0221-22	2SK1228-X	F.E.T.	
Q0531-34	DTC323TK-X	DIGI. TRANSISTOR	
Q0535-36	DTC124EKA-X	DIGI. TRANSISTOR	
Q0651	2SC2412K/QR/-X	SI. TRANSISTOR	
<b>IC</b>			
IC0201	UPC1851BCU	I.C. (MONO-ANA)	
IC0501	BA15218N	I.C. (MONO-ANA)	
IC0531	TC4066BP/N/	I.C. (DIGI-MOS)	
IC0631	NJM2150AD	I.C. (MONO-ANA)	
IC0651	M62320FP-X	I.C. (M)	
<b>OTHERS</b>			
J0531	CEMN036-004	PIN JACK	
J0701	QNS0001-001	JACK	
TU0101	QAU0206-001	TUNER	

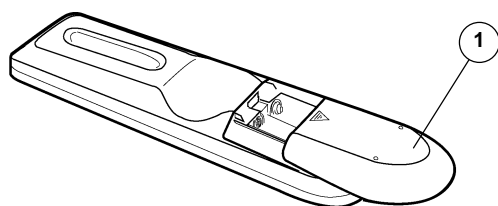
**DIGITAL IF MODULE (D.IF) P.W. BOARD ASS'Y  
[ 36P902CP-S (SSB-7801A-M2+WJJ024-001A) ]**

Symbol No.	Part No.	Part Name	Description
<b>OTHERS</b>			
	-----	DIGITAL IF MODULE	(SSB-7801A-M2)

**I/P MODULE P.W. BOARD ASS'Y (SSB0D026A-M2)**

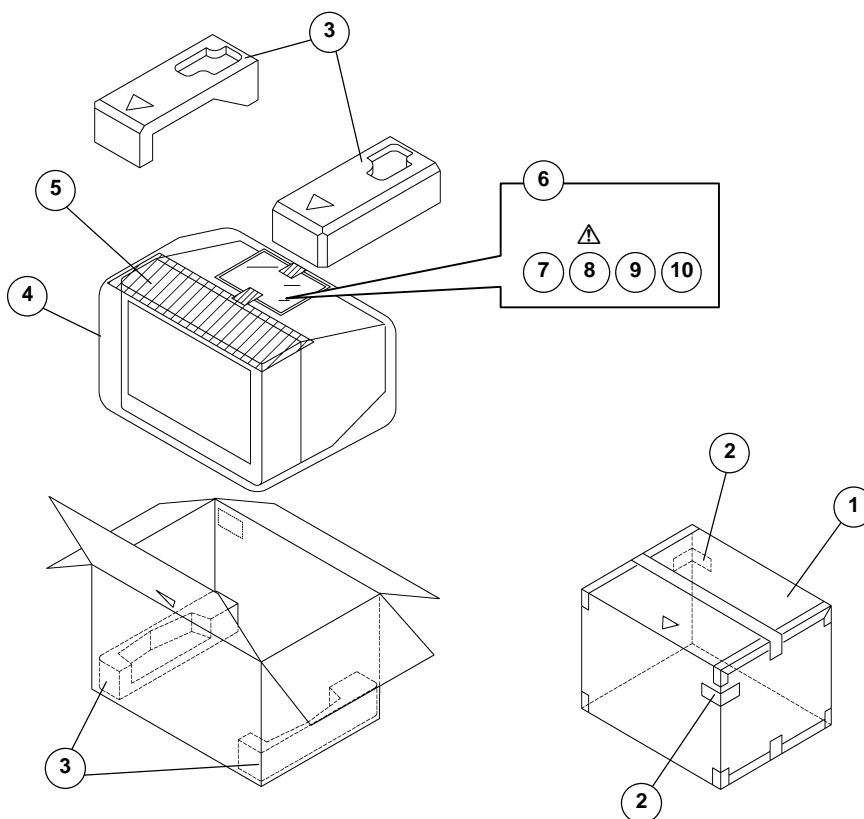
Symbol No.	Part No.	Part Name	Description
<b>OTHER</b>			
	-----	I/P MODULE	(SSB0D026A-M2)

## REMOTE CONTROL UNIT PARTS LIST (RM-C321G-1A)



△ Ref.No.	Part No.	Part Name	Description
1	UR52EC1286C	BATTERY COVER	

## PACKING



## PACKING PARTS LIST

△ Ref.No.	Part No.	Part Name	Description
1	LC10181-030A-A	P.CASE ASSY	
2	CM36616-001-A	CORNER LABEL	2pcs in 1set
3	LC11157-002A-A	CUSHION ASSY	4pcs in 1set
4	QPA02503505	POLY BAG	
5	CP30055-A02-A	TOP COVER	
6	CP30056-004-A	POLY BAG	
7	RM-C321G-1A	REMOCON UNIT	
△ 8	LCT1023-001A-A	INST BOOK	
9	BT-51020-1Q	REGISTER CARD	
10	BT-52004-1Q	WARRANTY CARD	

## **JVC SERVICE & ENGINEERING COMPANY OF AMERICA**

### **DIVISION OF JVC AMERICAS CORP.**

<b>Head office :</b>	1700 Valley Road, Wayne, New Jersey 07470	(973)315-5000
<b>East Coast :</b>	10 New Maple Avenue, Pine Brook, New Jersey 07058	(973)396-1000
<b>Midwest :</b>	705 Enterprise St. Aurora, Illinois 60504	(630)851-7855
<b>West Coast :</b>	5665 Corporate Avenue, Cypress, California 90630	(714)229-8011
<b>Southwest :</b>	10700 Hammerly, Suite 105, Houston, Texas 77043	(713)935-9331
<b>Hawaii :</b>	2969 Mapunapuna Place, Honolulu, Hawaii 96819	(808)833-5828
<b>Southeast :</b>	1500 Lakes Parkway, Lawrenceville, Georgia 30243	(770)339-2582

### **JVC CANADA INC.**

<b>Head office :</b>	21 Finchdene Square Scarborough, Ontario M1X 1A7	(416)293-1311
<b>Vancouver :</b>	13040 Worster Court Richmond B.C. V6V 2B3	(604)270-1311

# **JVC<sup>®</sup>**